

Hardware Adjustment Instructions

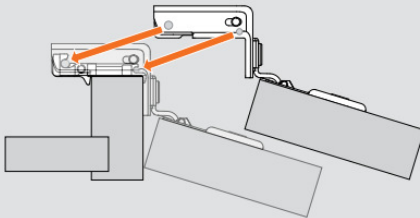
COMPACT CLIP Hinge

Clip features

With COMPACT CLIP, doors can be removed and reattached quickly and tool free. Not only does this save installers time on the jobsite, it also reduces the risk of damage to the cabinet frame.

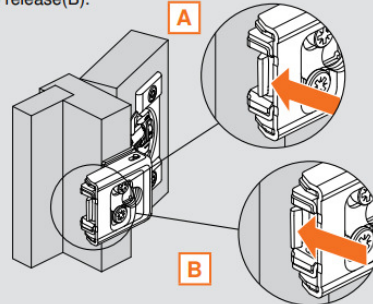
Hinge attachment

Step 1: Slide hinge onto CLIP plate until hinge clips in place.

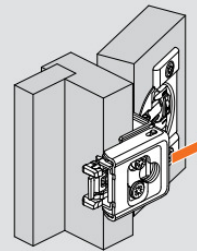


Hinge removal

Step 1: Locate CLIP release lever on back of hinge(A) and press down to release(B).



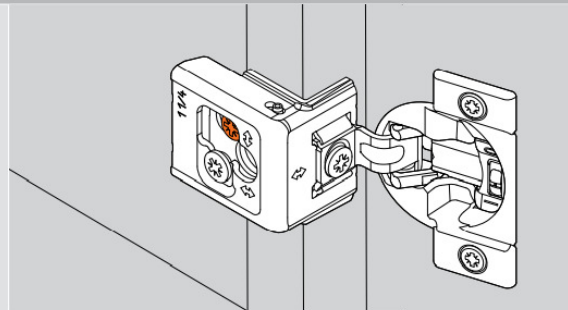
Step 2: While the CLIP lever is released, pull forward on hinge / door to remove from cabinet.



Cam height adjustment

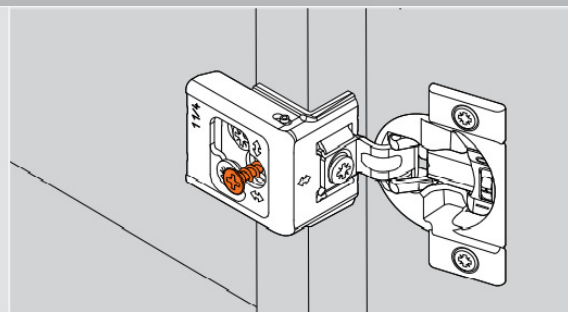
Not only does the height setting remain unchanged as doors are attached and removed, a cam height adjustment is now available. This allows for the maximum adjustment range without needing to be centered in an elongated hole.

All adjustments now have markings stamped on the hinge near their corresponding screw head.



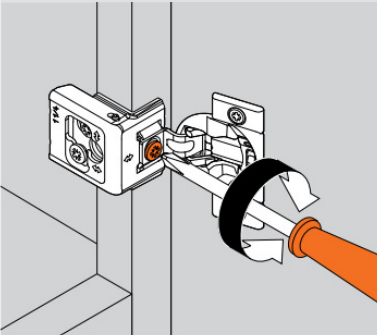
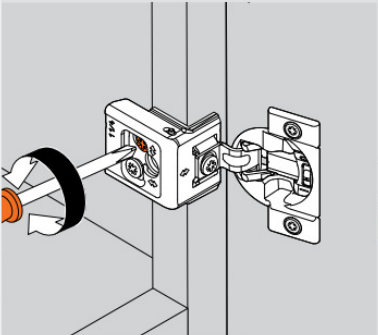
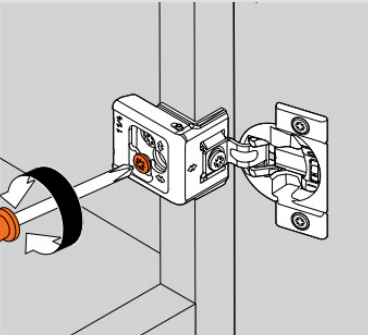
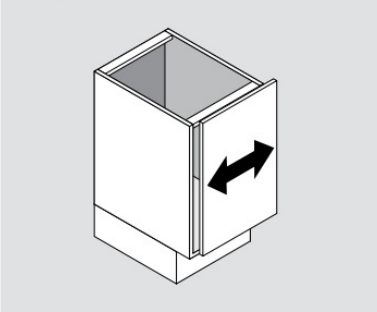
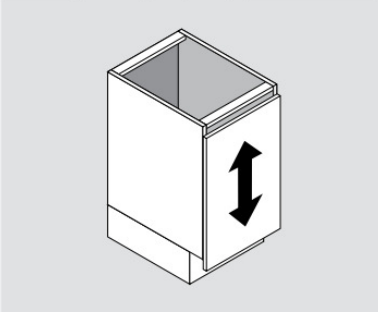
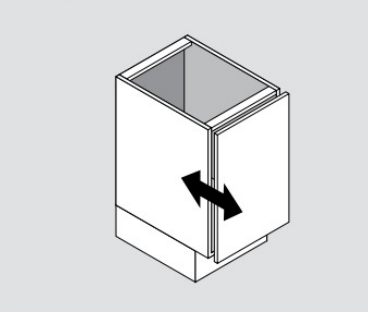
Pre-mounted screw

The COMPACT CLIP hinge comes with a pre-mounted screw for quick, easy screw head visibility saving time with improved accuracy.



Hardware Adjustment Instructions

COMPACT CLIP Hinge - continued

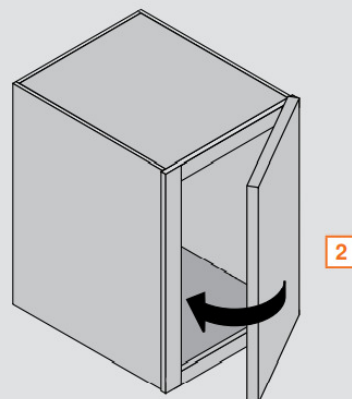
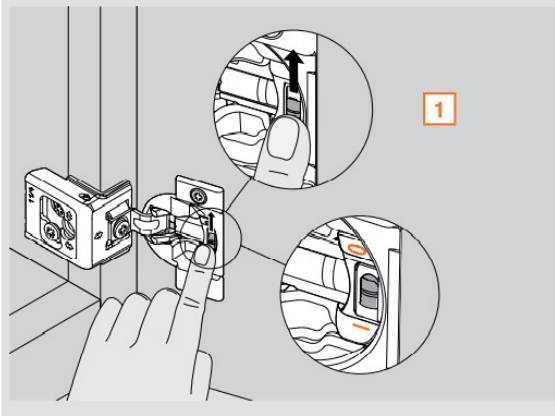
Three-dimensional cam adjustment		
Side adjustment	Height adjustment	Depth adjustment
Rotate the front cam screw to increase or decrease door overlay ($\pm 1/16"$)	Rotate this cam screw to increase or decrease the height ($\pm 5/64"$)	Rotate this cam screw to adjust door gap ($+ 3/32"$, $- 1/32"$)
		
		

BLUMOTION Deactivation

Deactivation switch on the hinge cup

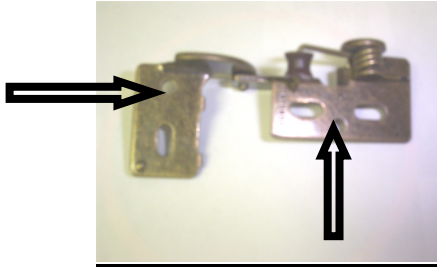
For small or light doors, the BLUMOTION can be deactivated on one of the hinges. COMPACT CLIP comes in the activated position, marked with a "1". The deactivated position is marked with a "0".

The door must be closed once for the deactivation to be complete. To reactivate, move switch back to the original position "1".



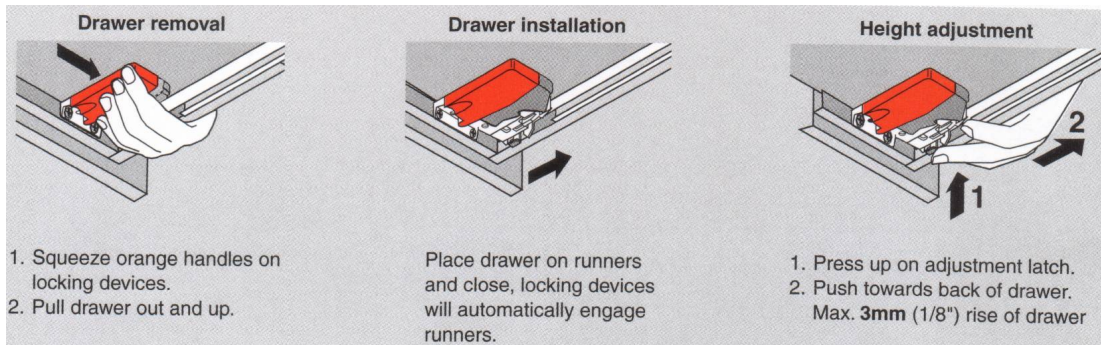
Hardware Adjustment Instructions

Knife Hinges

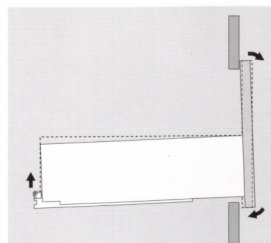
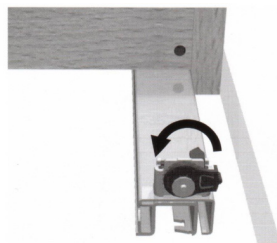


Two set-screws should be included for each hinge. After adjusting the doors for proper position and operation, one screw should be placed in each of the hinge's provided locations.

Drawer Box Removal / Installation and Adjustment -- Full Extension Glides Only



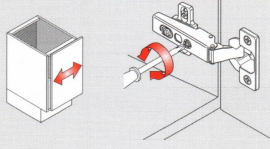
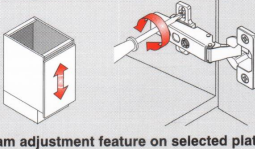
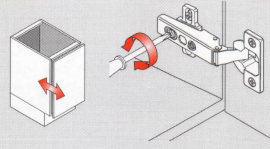
Drawer Tilt Adjustment -- Full Extension Glides Only



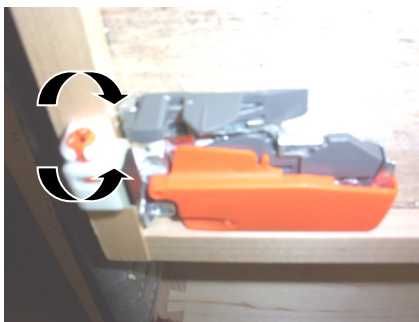
- **New drawer tilt adjustment**
- To fine-tune drawer front alignment
- +5mm tool free tilt adjustment (range varies depending on runner length and drawer front height)

Hardware Adjustment Instructions

BUSP Style 170° Hinge

<p>Side adjustment Turn screw to increase or decrease door overlay (4mm range).</p>	<p>Height adjustment Loosen screw(s) on all mounting plates, adjust door and retighten screws (4mm or 6mm range depending on mounting plate).</p>	<p>Depth adjustment Loosen screw, adjust door to desired position and retighten screw (4mm range).</p>
		
<p>New cam adjustment feature on selected plates eliminates loosening screws.</p>		

Inset Drawer Front Adjustment



This adjustment is used to ensure that the inset drawer front is flush with the face frame. Adjust the glide stop as shown using a screw driver.