



[www.brightoncabinetry.com](http://www.brightoncabinetry.com)

**CATALOG VERSION**

**BR1803**

**20/20 Version BR1803 (A/B)**



## Custom Idea Section

The following section contains ideas for customized items that can be quoted by Brighton as needed. These are only suggested ideas. Variations of these items may be requested during the quote process. We recommend that a new quote be obtained for these pieces per order. Quotes are valid for 60 days from the date listed on the quote and are based on Brighton's current pricing. When wanting a quote for one of the examples shown in the custom idea section, please reference the specific BCI#### shown by that listing.

Browse through the following collection of ideas, and if these do not suit your needs, they may inspire a unique design for your upcoming project. Please do not hesitate to ask for a quote on any cabinetry or accessory not found within the catalog.

Quotes are processed as first in / first out. Please allow three business days for the typical quote process time. While Brighton strives to return quotes promptly, custom items require that specific details are worked out to achieve the most accurate design and pricing. Your patience is greatly appreciated during this process.

Brighton reserves the right to require a quote when an order is placed with a customized item that falls outside the range of standard product offerings. Be aware this will cause a delay in order lead time. To ensure a smooth flow through our order entry process and to avoid delays, please have a quote finalized and approved prior to placing your actual order.



## Brighton Cabinetry Custom Unit and Modification Quote Process

Brighton Cabinetry has developed a specific process designed for Custom Units and Modifications (Any units or modifications not included in our catalog.) Following these steps should ensure that our customers receive exactly what they anticipate.

1. Detailed information from the customer/salesperson is necessary prior to receiving the order. (Customer Name, Drawings, Species, Overlay, Color, Door Style, Drawer Front Style, etc.) The best way for this information to be communicated efficiently is by using the order form in the front of our catalog. **\*\*Please remember to check the box at the top of the form for quote.\*\***
2. Please send all quotes via e-mail to quotes@brightoncabinetry.com. This email address is now up and working and the quotes will be forwarded to the appropriate people. Otherwise fax them to (217)895-3005 and put, ATTN: Quotes Dept. at the top of the page.
3. A Quote Number will be given to each unit to be quoted.
4. If necessary, our design team will go over the quote and decide what materials and construction methods will be used.
5. Once a plan has been approved, a CAD drawing, specifications, and pricing will be developed for each unit. Pricing for the quoted items will not include Specie, Stain, or Overlay up charges because when you add the custom units into 20/20, it will automatically figure those percentages from the list price of the quote.
6. When the specifications are complete, a copy of the finalized quote will be emailed to the salesperson for approval.
7. If changes are to be made, now is the time. Make the appropriate changes on the quote received. Once all changes have been made, resubmit the CAD drawing with the correct changes annotated. (If changes are not made at this time, it could result in delayed lead time of the quoted item, or incurred price increases.)
8. The changes will be updated to the existing quote, and an updated CAD drawing with the changes will be re-emailed to the salesperson for approval.
9. When ordering the Custom Unit, the Custom cabinet from the drag and drop list must be picked in 20/20 and the salesperson must reference the Quote Number for each item. Enter the price from the Quote for this cabinet into 20/20. Also, include a signed copy of the quote for Brighton's production paperwork.
10. During the order entry process we will pull the file referenced by the Quoted Number and process the custom item accordingly.
11. There will be a minimum of 1 day lead time on a quote. All quotes should be returned to salesperson within 3 days from placing the quote.



1095 Industrial Park Ave. Neoga, IL 62447  
 Ph. 217-895-3000 Fax. 217-895-3005

ORDER

QUOTE

PAGE  OF

DEALER		SHIP TO:	
Name:		Name:	
Address:		Address:	
City/State/Zip:		City/State/Zip:	
Phone	Fax	Phone	Fax
Email		Email	

JOB NAME:		ORDER DATE:
DEALER P.O.#:	SALESPERSON:	REQUEST DATE:

Reference Original BCI Sales Order Number:		Order Processing Preference: <input type="checkbox"/> Standard <input type="checkbox"/> Expedite (Requires 30% Upcharge) <input type="checkbox"/> Warranty <input type="checkbox"/> Sales Aid / Display	Wood Specie: <input type="checkbox"/> CHERRY <input type="checkbox"/> HICKORY <input type="checkbox"/> MAPLE <input type="checkbox"/> MDF (Doors) <input type="checkbox"/> QUARTER SAWN WHITE OAK <input type="checkbox"/> RED BIRCH <input type="checkbox"/> RED GRANDIS <input type="checkbox"/> RED OAK <input type="checkbox"/> RUSTIC ALDER <input type="checkbox"/> RUSTIC HICKORY <input type="checkbox"/> WALNUT <input type="checkbox"/> WEATHERED GRAIN QSWO
Hinge-reveal: <input type="checkbox"/> SOL-CONCEALED <input type="checkbox"/> SOL-KNIFE <input type="checkbox"/> SOL-KNIFE LIPPED <input type="checkbox"/> FOL-CONCEALED <input type="checkbox"/> INSET STANDARD FRAME W/ EXPOSED BARREL HINGE ** <input type="checkbox"/> INSET BEADED FRAME W/ EXPOSED BARREL HINGE ** <input type="checkbox"/> INSET STANDARD FRAME W/ CONCEALED HINGE <input type="checkbox"/> INSET BEADED FRAME W/ CONCEALED HINGE	Select wood grade for doors, if applicable: <input type="checkbox"/> Standard doors <input type="checkbox"/> Premium doors (Upcharge applies)  Maple drawer box standard. Check here for Walnut box upgrade <input type="checkbox"/>  Base door style: <input type="checkbox"/> SOFT CLOSE DOOR UPGRADE		
**Inset Barrel Hinge Color:	Wall door style:  <input type="checkbox"/> SOFT CLOSE DOOR UPGRADE	Finish color:	

Drawer front type:  SLAB       1" SLAB       5-PIECE FLAT       5-PIECE RAISED

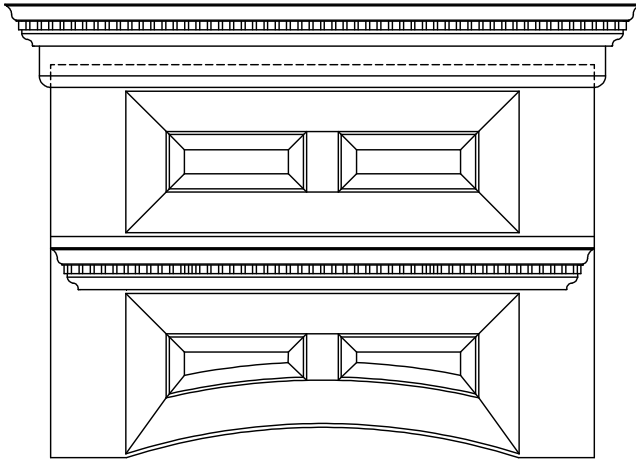
COMPLETE THE FOLLOWING FOR NON-STANDARD SELECTIONS:	Outside Edge:
Center Panel:	Inside Frame Bead:

SPECIAL INSTRUCTIONS:

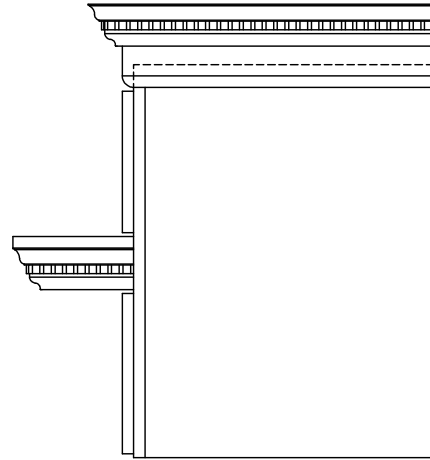
ITEM #	QTY	PRODUCT CODE	DESCRIPTION	HINGE	FIN ENDS	PRICE
					TOTAL LIST	
CHECKED BY:	DATE			MULTIPLIER		
CHECKED BY:	DATE			NET		



## BCI0001 Custom Hood

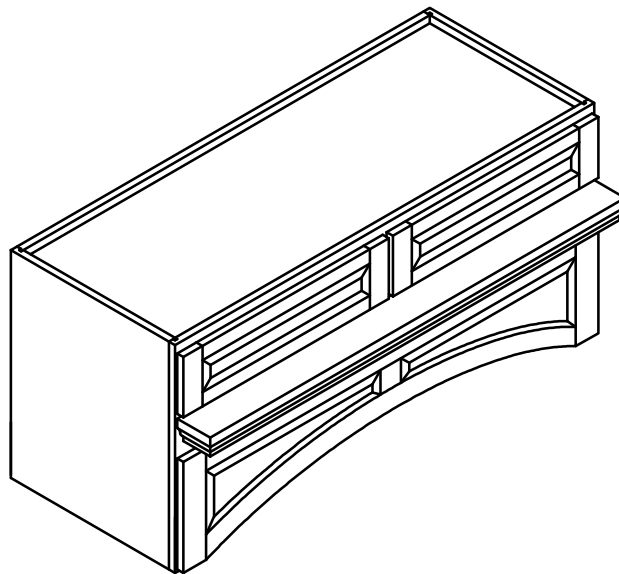


FRONT VIEW

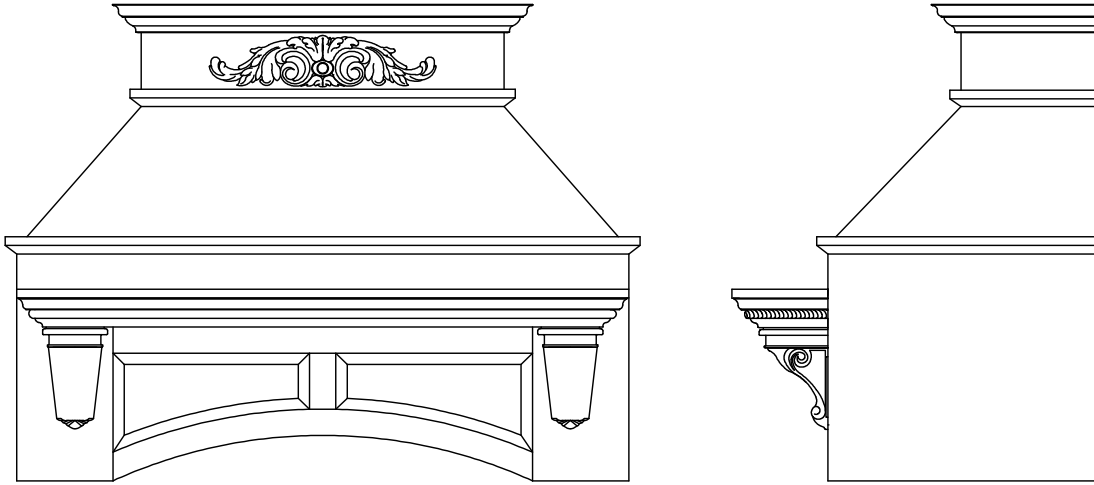


SIDE VIEW

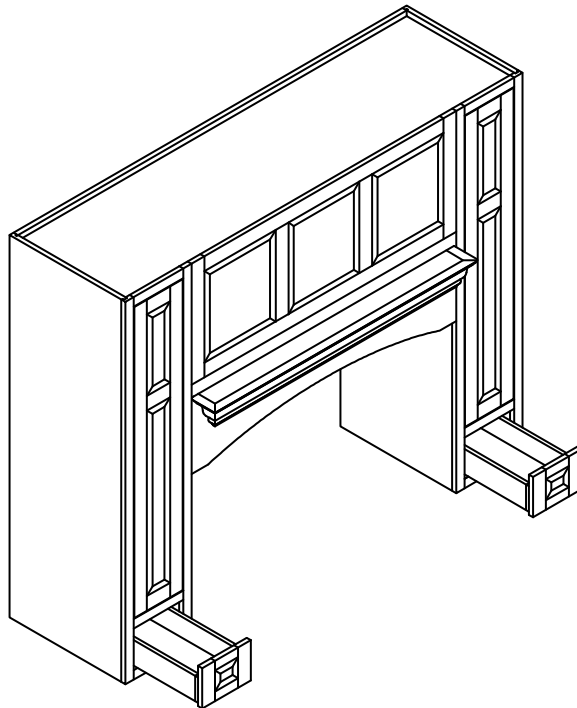
## BCI0002 Custom Hood



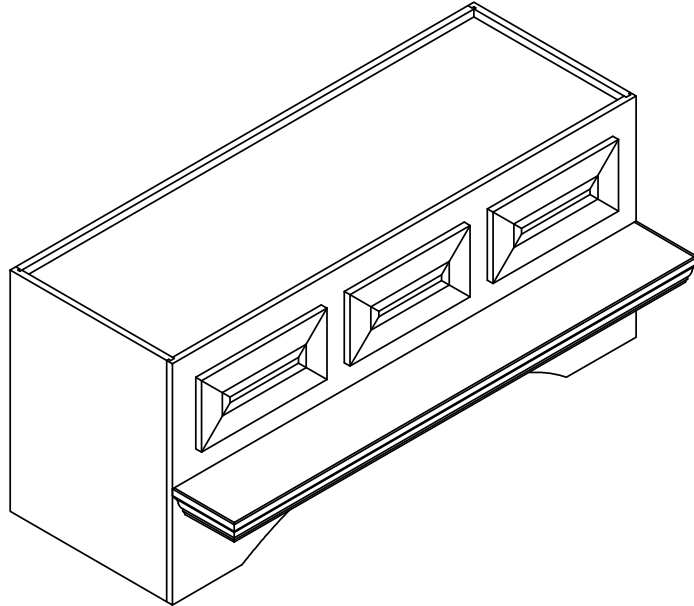
## BCI0003 Custom Hood



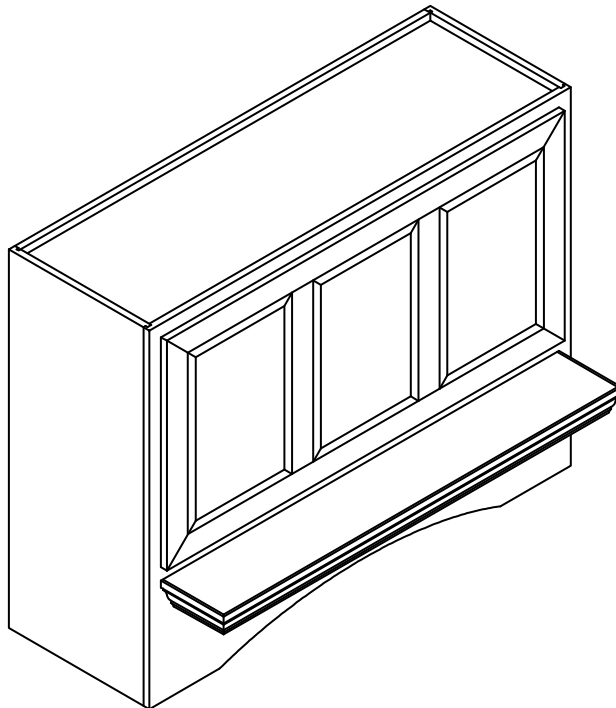
## BCI0004 Custom Hood



## BCI0005 Custom Hood

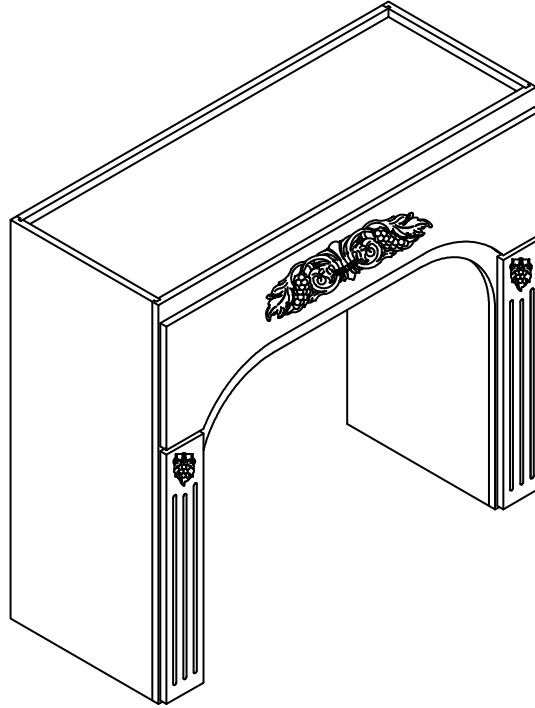


## BCI0006 Custom Hood

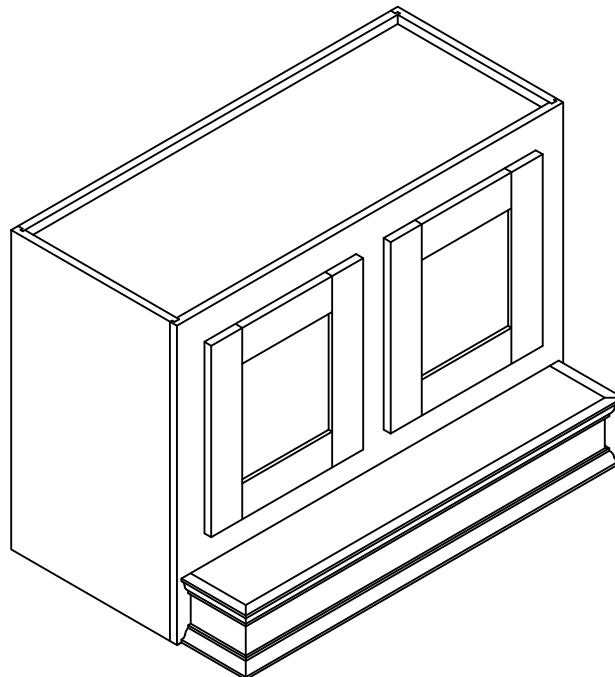




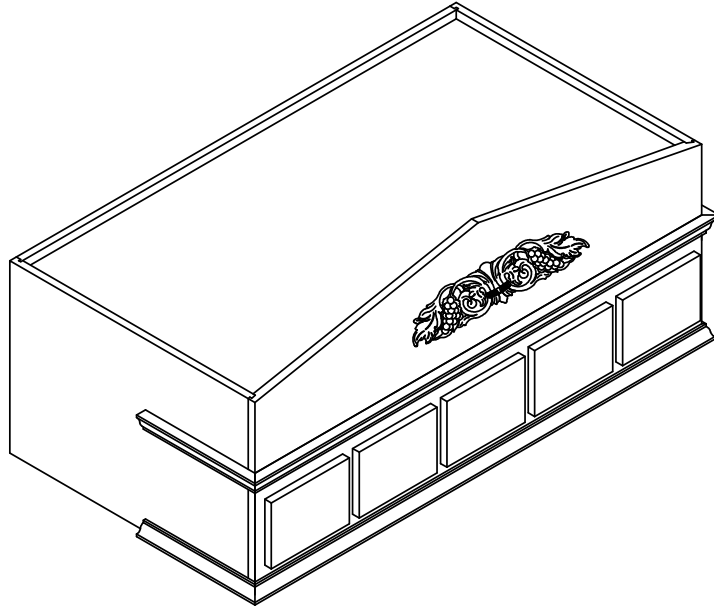
## BCI0007 Custom Hood



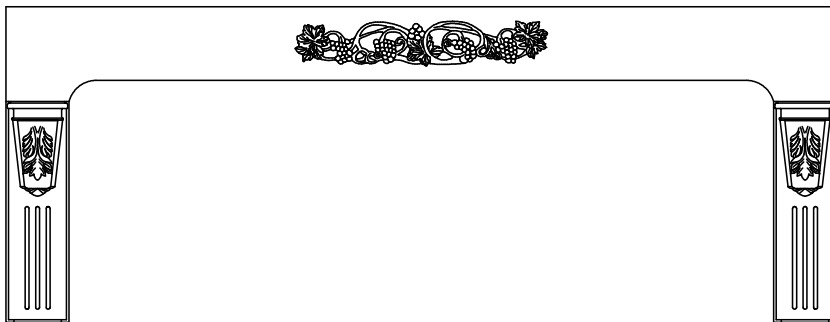
## BCI0008 Custom Hood



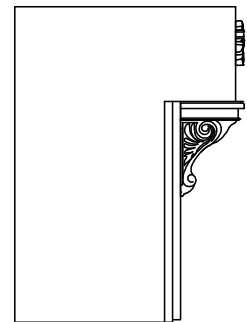
## BCI0009 Custom Pediment



## BCI0010 Custom Valance

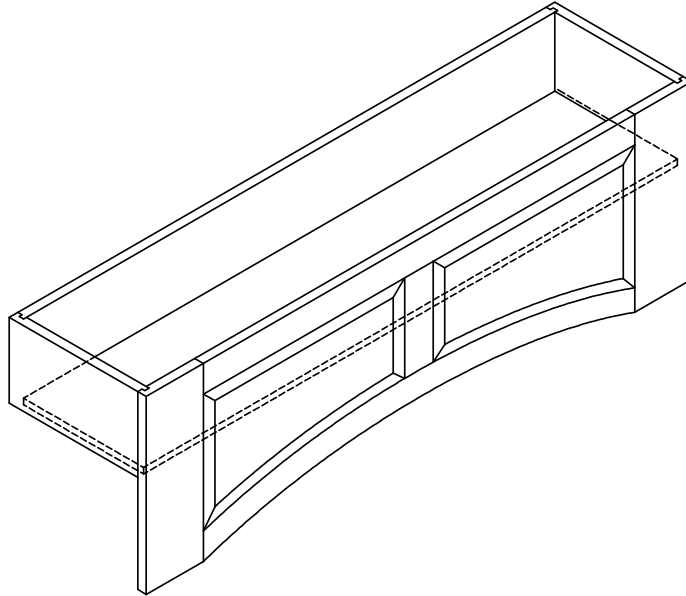


FRONT VIEW

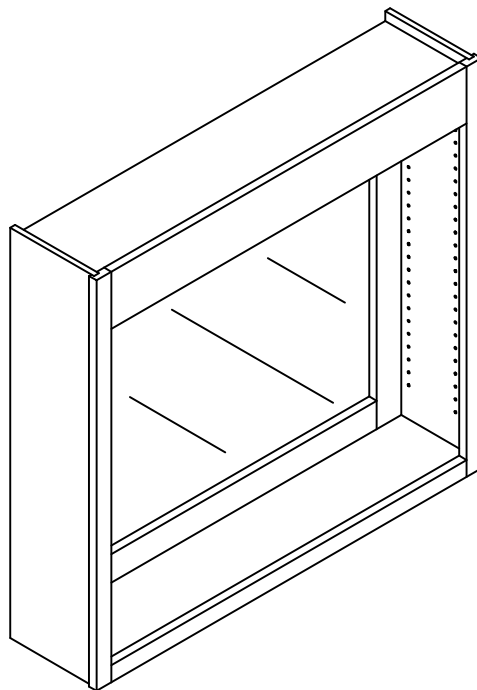


SIDE VIEW

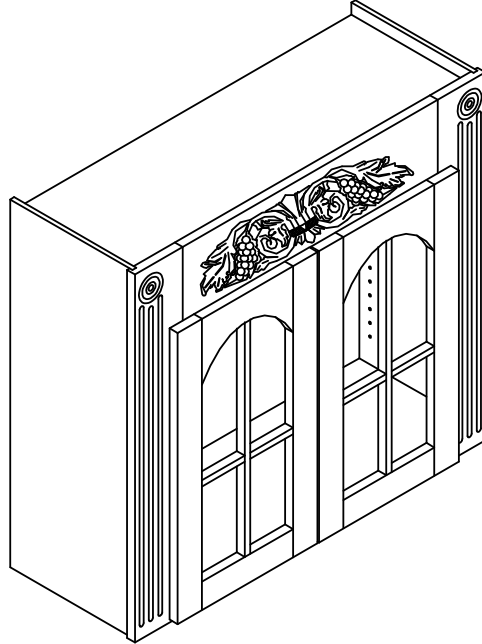
## BCI0011 Custom Valance



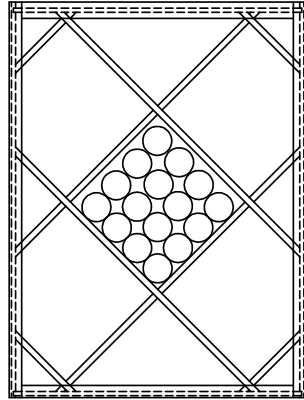
## BCI0012 Custom Mirror



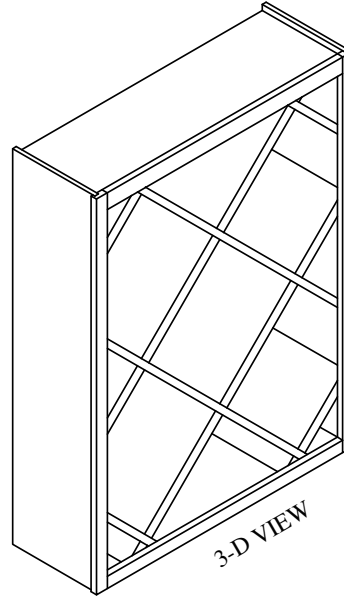
## BCI0013 Custom Wall with Applique



## BCI0015 Custom Wine

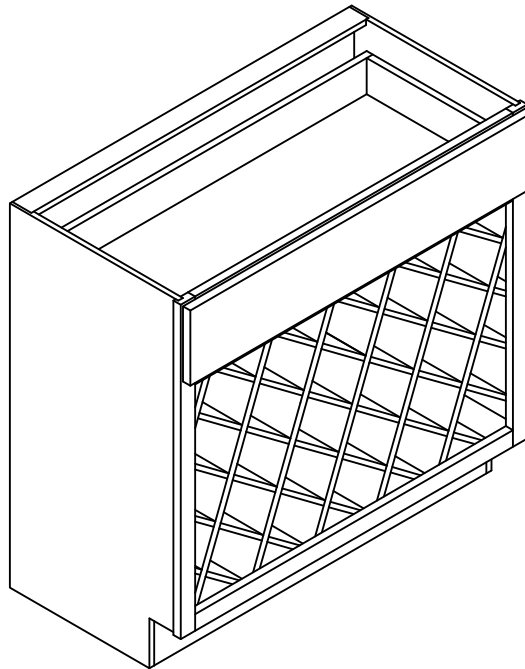


FRONT VIEW

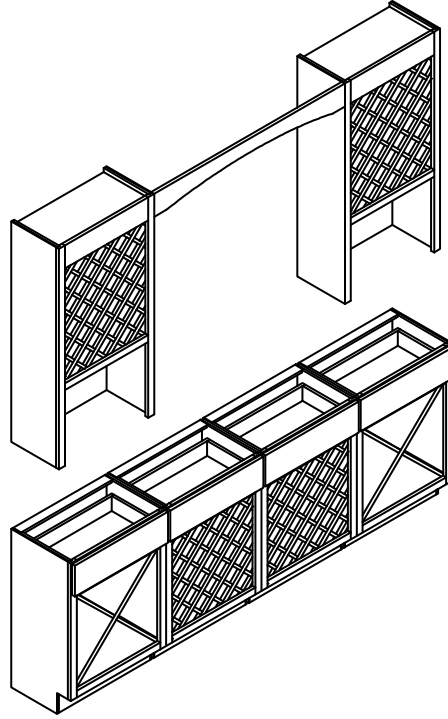


3-D VIEW

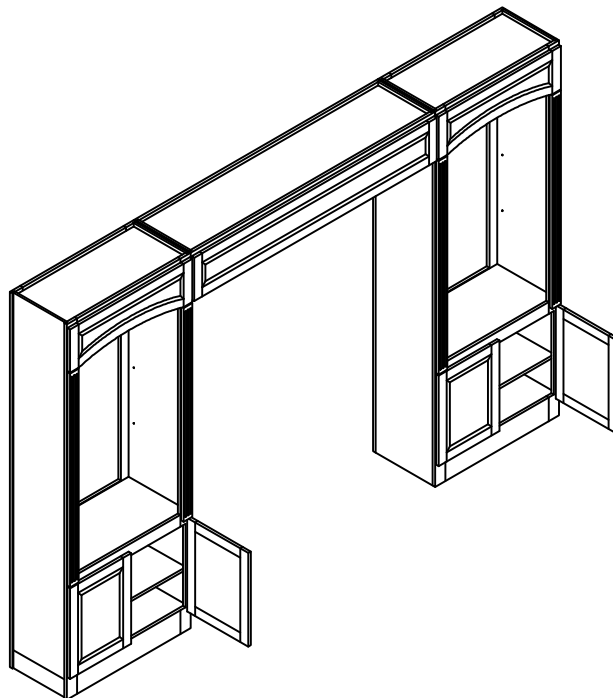
## BCI0016 Custom Wine Base



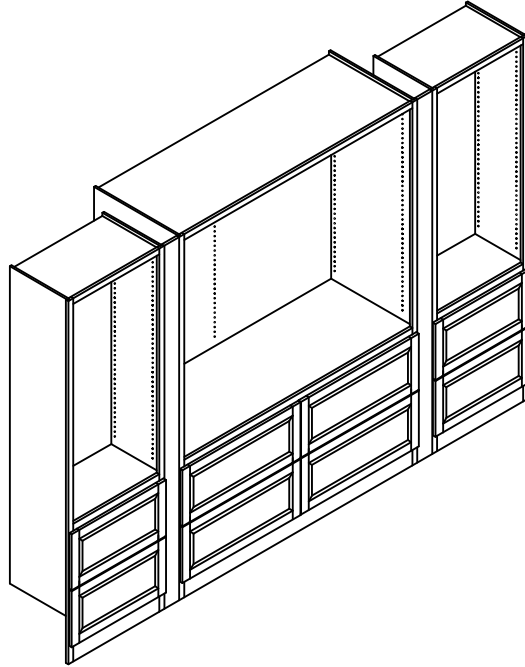
## BCI0017 Custom Wine



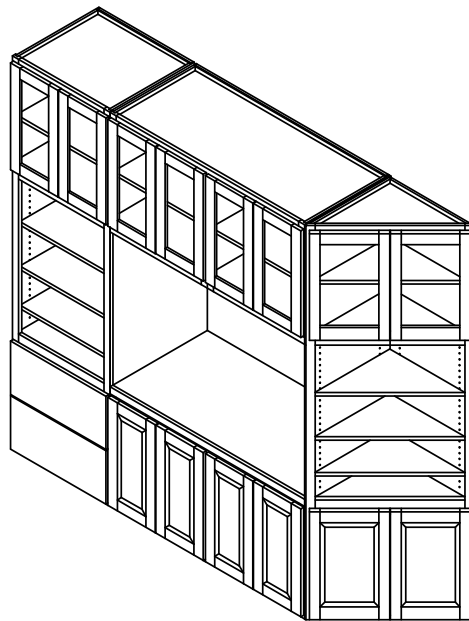
## BCI0018 Custom Passthrough



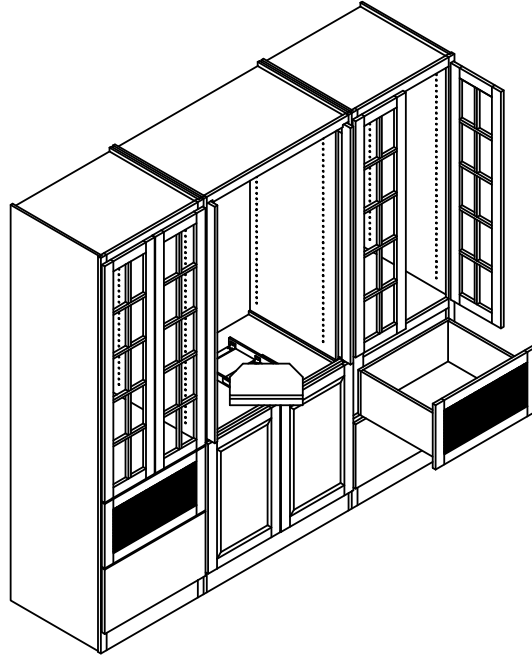
## BCI0019 Custom Entertainment Center



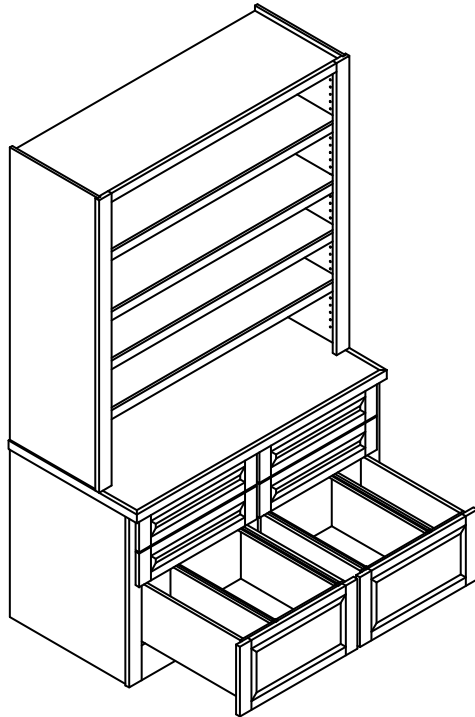
## BCI0020 Custom Entertainment Center



## BCI0021 Custom Entertainment Center

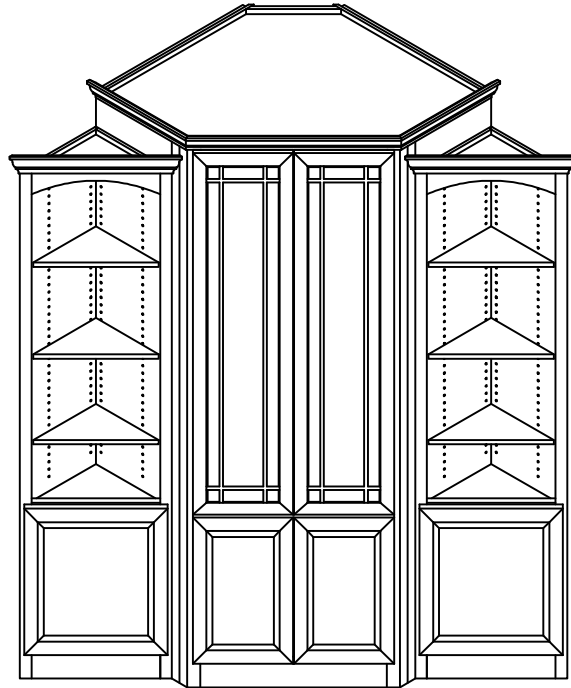


## BCI0022 Custom File

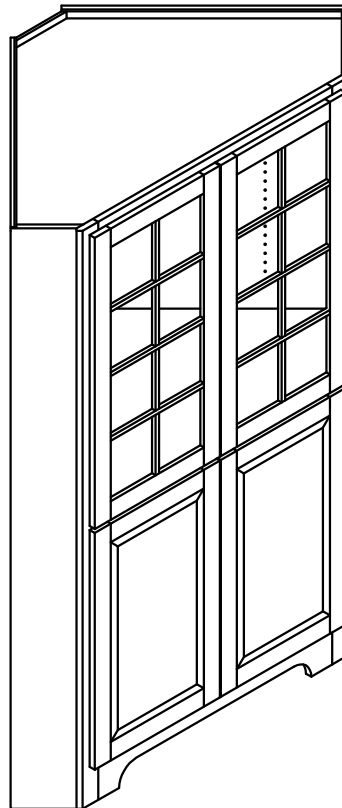




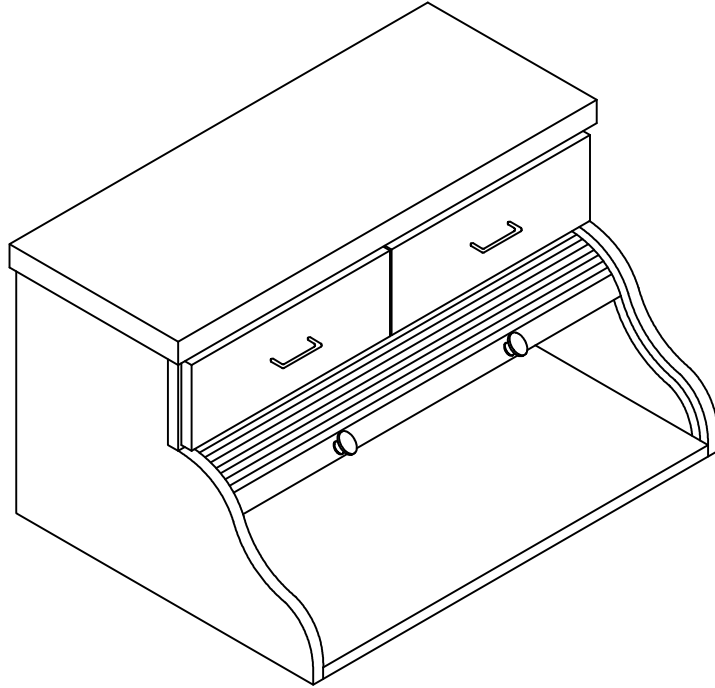
## BCI0023 Custom Hutch



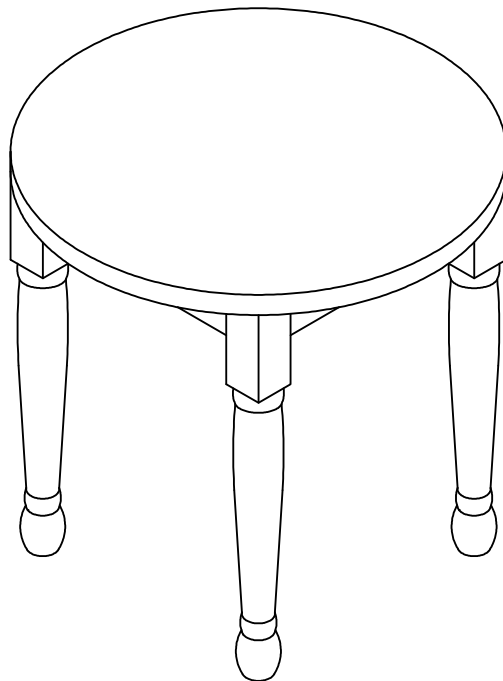
## BCI0024 Custom Angle



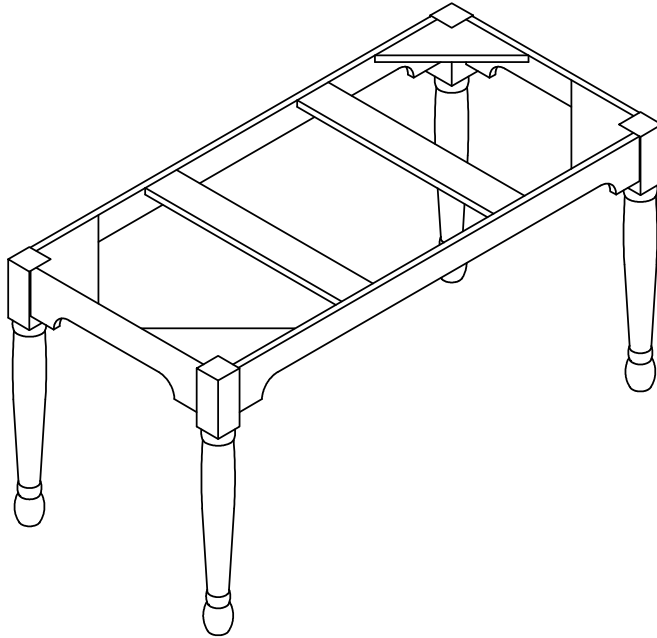
## BCI0025 Custom Rolltop Desk



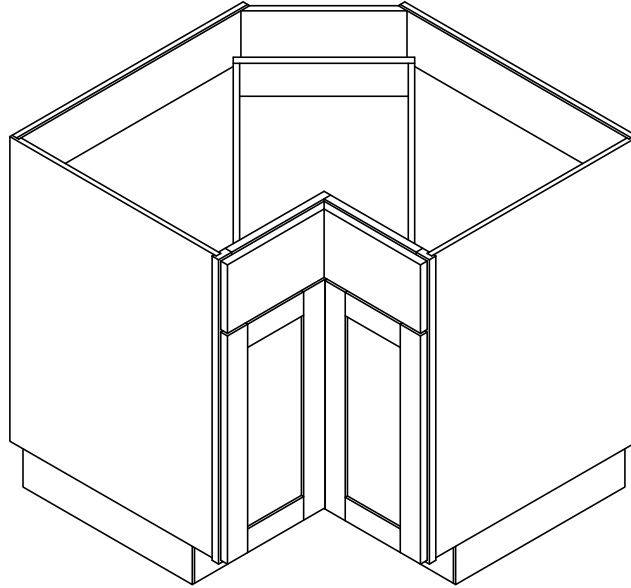
## BCI0026 Custom Table



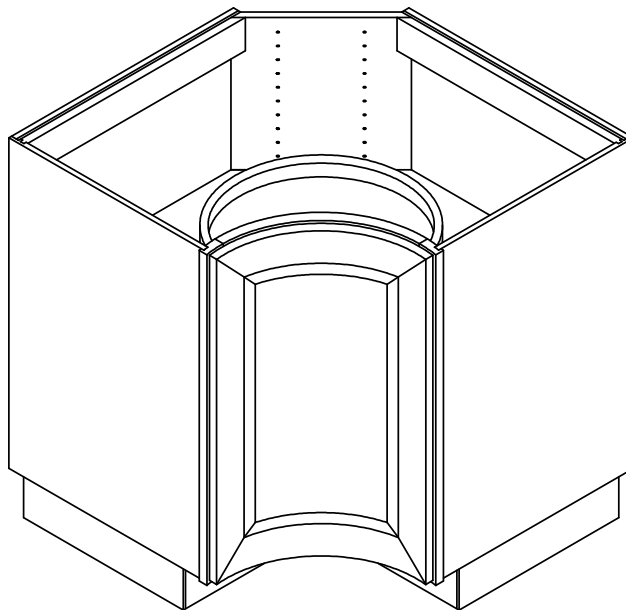
## BCI0027 Custom Table



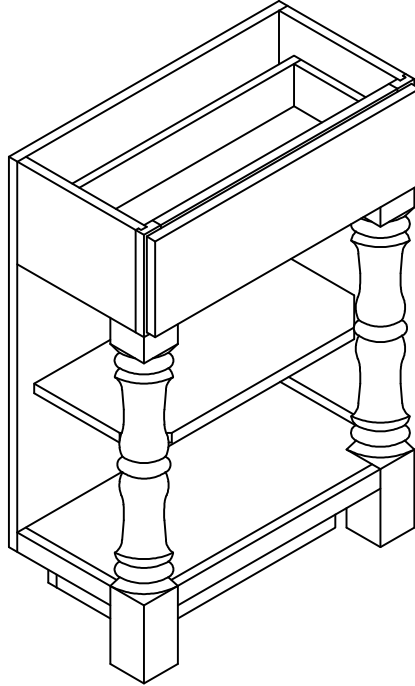
## BCI0029 Custom Pie Cut



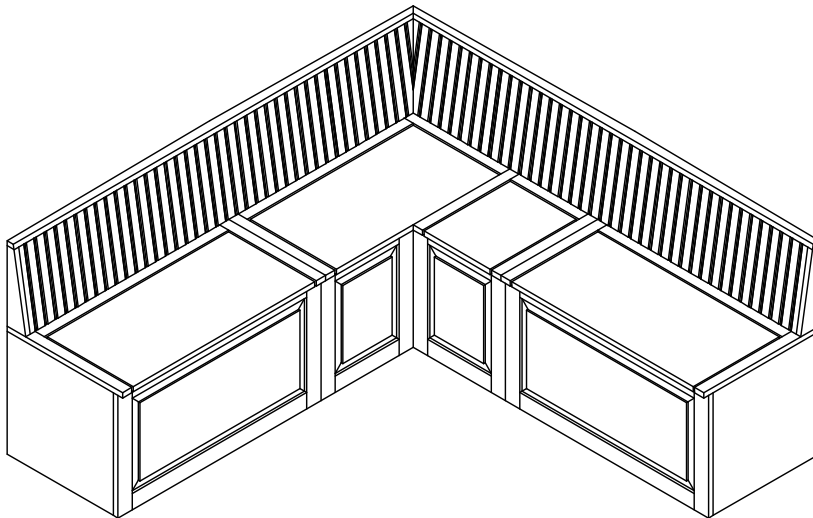
## BCI0030 Custom Radius



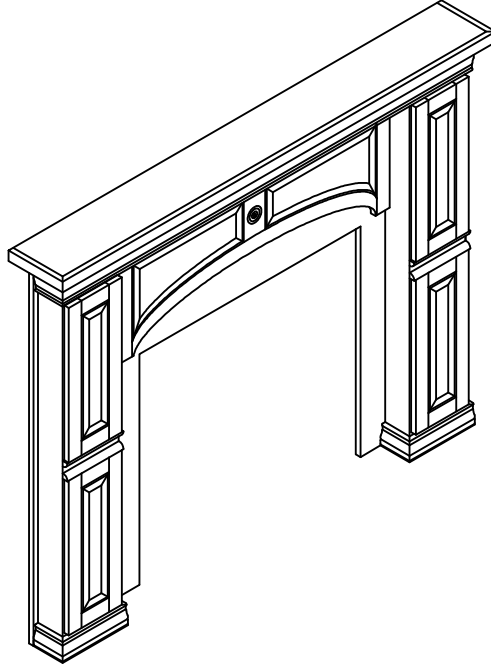
## BCI0031 Custom End Shelf



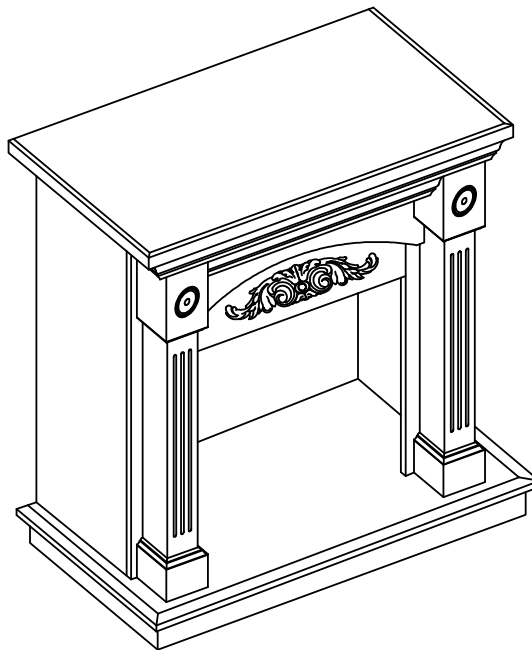
## BCI0032 Custom Bench Seat



## BCI0033 Custom Fireplace



## BCI0034 Custom Fireplace





## Household Storage and Organization

Over the years, Brighton Cabinetry has offered a variety of accessories that add value to your cabinets. We have access to a wide range of well known suppliers in the cabinet industry. Among those brands are Rev-A-Shelf, Hafele, Broan, CH Briggs, Enkeboll, Outwater, plus many others. While you will find a number of enhancements throughout our catalog, there are still many items not specifically listed here. Please feel free to contact us for a quote on any accessory for your cabinet that you do not see within our pages. You may also contact our customer service department with any questions regarding accessory products.