



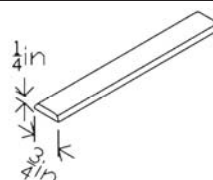
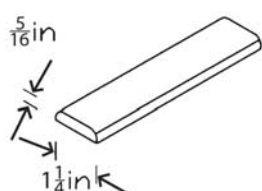
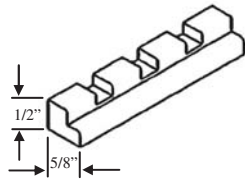
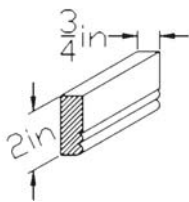
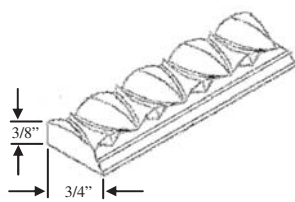
# General Accessories Contents

<p><b>86° ANGLE RESTRICTION CLIP</b>..... 10</p> <p><b>APPLIQUES</b>..... 26</p> <p><b>BEAD BOARD 1/2"</b>..... 18A</p> <p><b>BUMPERS</b>..... 10</p> <p><b>BUN FEET</b>..... 13</p> <p><b>BUTCHER BLOCK COUNTER TOPS</b>..... 18</p> <p><b>CARVINGS</b>..... 24</p> <p><b>COLUMN</b>..... 16</p> <p><b>CORBELS</b>..... 24-25</p> <p><b>CORNER SHAKER FOOT STYLES</b>..... 16</p> <p><b>COUNTRY FRENCH FEET</b>..... 13</p> <p><b>CUTTING BOARD, LOOSE</b>..... 18</p> <p><b>DIAGONAL INSTALL KIT</b>..... 9</p> <p><b>DISHWASHER PANELS</b>..... 19</p> <p><b>DOOR, FALSE ON PANEL</b>..... 17</p> <p><b>DOOR, LOOSE</b>..... 10</p> <p><b>DOOR STAY, LOOSE</b>..... 10B</p> <p><b>DRAWER FRONT, LOOSE</b>..... 10</p> <p><b>DRAWER PLATE ORGANIZER</b>..... 11</p> <p><b>EDGE BANDING</b>..... 17</p> <p><b>FRAME STOCK</b>..... 9</p> <p><b>FRENCH LEGS</b>..... 13</p> <p><b>GLASS FOR DOORS</b>..... 10A</p> <p><b>GROMMET</b>..... 18</p> <p><b>GROOVED PANEL</b>..... 18A</p> <p><b>HAMPER BASKET ROLLOUT</b>..... 11</p> <p><b>HANGING FILE</b>..... 11</p> <p><b>HINGE, LOOSE</b>..... 10B</p> <p><b>HUTCH ENDS</b>..... 9</p> <p><b>KNIFE BLOCK</b>..... 11</p> <p><b>KNOBS, WOOD</b>..... 10B</p> <p><b>LOCKS</b>..... 10</p> <p><b>MAGNETIC TOUCH LATCHES</b>..... 10</p> <p><b>MATCHING TOE KICK</b>..... 3</p> <p><b>MIRROR MOLDING*</b>..... 3</p> <p><b>MOLDINGS, 8 FOOT LENGTHS*</b></p> <p style="padding-left: 20px;">BASE MOLDING*..... 5</p> <p style="padding-left: 20px;">CASE MOLDING*..... 6</p> <p style="padding-left: 20px;">CROWN MOLDING*..... 6A-6D</p> <p style="padding-left: 20px;">LIGHT RAIL MOLDING*..... 6D-7</p> <p style="padding-left: 20px;">MISCELLANEOUS MOLDINGS*..... 2-4</p> <p style="padding-left: 20px;">PANEL MOLDING*..... 8</p> <p style="padding-left: 20px;">RADIUS MOLDING*..... 6D</p> <p><b>MYSTERY OIL</b>..... 18</p> <p><b>ORNAMENTS</b>..... 21-24</p>	<p><b>OUTLET PLATE</b>..... 18B</p> <p><b>PAINT QUARTS</b>..... 19</p> <p><b>PANEL, CUT TO SIZE</b>..... 17</p> <p><b>PLASTIC INSERT</b>..... 10</p> <p><b>PLINTE BLOCK MATERIAL</b>..... 9</p> <p><b>POST / LEG</b>..... 14-15</p> <p><b>PRIMED EXTERIOR</b>..... 19</p> <p><b>REFRIGERATOR PANELS</b>..... 19</p> <p><b>ROLLOUT LADDERS, LOOSE</b>..... 11</p> <p><b>ROUTED FINGER PULLS</b>..... 10</p> <p><b>ROUTING</b>..... 9</p> <p><b>SALES AIDES</b></p> <p style="padding-left: 20px;">BROCHURES..... 20</p> <p style="padding-left: 20px;">CROWN DISPLAY BOARD..... 20</p> <p style="padding-left: 20px;">DISPLAY UNIT..... 20</p> <p style="padding-left: 20px;">DOOR DISPLAY BOARD..... 20</p> <p style="padding-left: 20px;">DOOR SAMPLES..... 20</p> <p style="padding-left: 20px;">GLASS SAMPLES..... 20</p> <p style="padding-left: 20px;">HINGE DISPLAY BOARD..... 20</p> <p style="padding-left: 20px;">MOLDING CHAINS..... 20</p> <p style="padding-left: 20px;">SHEEN SAMPLE DISPLAY..... 20</p> <p style="padding-left: 20px;">SIGNAGE..... 20</p> <p style="padding-left: 20px;">STAIN BLOCK SAMPLES..... 20</p> <p><b>SHAKER FEET</b>..... 16B</p> <p><b>SHELVES</b></p> <p style="padding-left: 20px;">SHELF, BOOKCASE..... 12</p> <p style="padding-left: 20px;">SHELF, GLASS..... 12</p> <p style="padding-left: 20px;">SHELF, LOOSE..... 12</p> <p style="padding-left: 20px;">SHELF, MATCHING WOOD..... 12</p> <p style="padding-left: 20px;">SHELF, WINE RACK BOTTLE..... 12</p> <p style="padding-left: 20px;">SHELF, WOOD FRAMED w/ GLASS..... 12</p> <p><b>SHELF CLIPS</b>..... 12</p> <p><b>SHELF SUPPORTS, WOOD</b>..... 12A-12B</p> <p><b>SOFT CLOSE PLUNGER, LOOSE</b>..... 10</p> <p><b>SPICE RACK</b>..... 10B</p> <p><b>SQUARE FOOT</b>..... 13</p> <p><b>STAIN QUARTS</b>..... 19</p> <p><b>SWITCH PLATE</b>..... 18B</p> <p><b>TAPERED FEET</b>..... 13</p> <p><b>TOUCH-UP KITS</b>..... 19</p> <p><b>TV PULLOUT SWIVEL</b>..... 12</p> <p><b>UNFINISHED EXTERIOR</b>..... 19</p> <p><b>UTILITY BIN PULLOUT</b>..... 11</p> <p><b>WAINSCOT PANEL (LOOSE)</b>..... 18A</p> <p><b>WASTE BIN</b>..... 10B</p> <p><b>WOOD TOPS</b>..... 18</p>
---	--

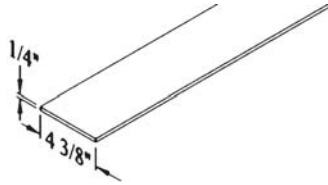
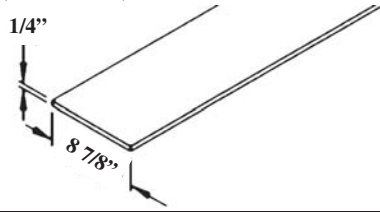
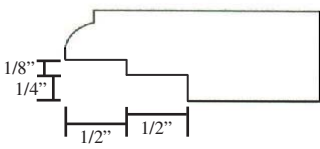
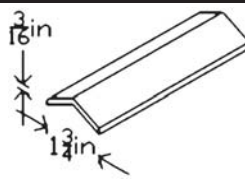
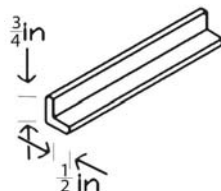
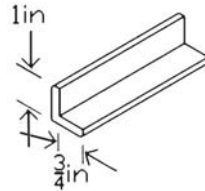
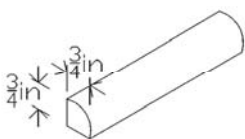
\*Due to tolerances from our suppliers, 8' moldings may have an allowable minimum of 93" usable material.

MOLDINGS, 8' LENGTHS

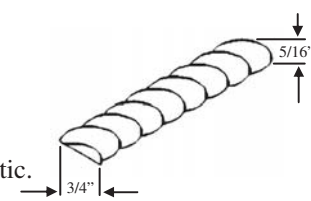
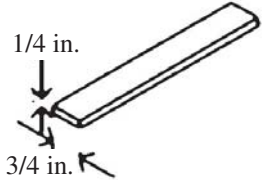
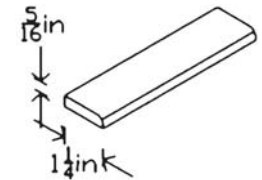
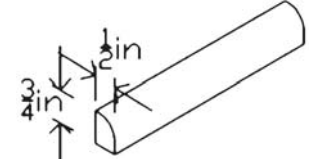
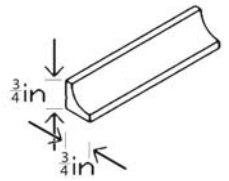
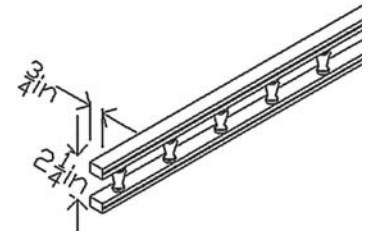
**8' MOLDINGS:** Due to tolerances from our suppliers, 8' moldings may have an allowable minimum of 93" usable material. 8' moldings are not sold in lengths less than 8 foot. The 8' piece can be cut down at the factory to reduce common carrier shipping costs if a note is included with the order to do so.

	PRODUCT CODE	LIST PRICE
<p><b>APPLIED MOLDING CHARGE</b> Charge for factory applied moldings, ornaments, appliqué and doors to cabinets or panels.</p>	MAMC	\$ ea
<p><b>INCREASE MOLDING TO 10' LENGTH</b></p>	MIM10	+%
<p><b>INCREASE MOLDING TO 12' LENGTH</b></p>	MIM12	+%
<p>Available on most 8' moldings. NOT available for Red Birch or Rustic Alder. Recommended to call Customer Service in advance to verify availability of your specific molding before placing the order. Moldings over 8' long may have an extended lead time. Additional charges for shipment of moldings over 8' long may apply.</p>		
<p><b>BATTEN MOLDING #1</b></p> <p>Not available in Rustic Alder or Rustic Hickory: standard grade wood will be substituted</p>		ABATTEN-1
<p><b>BATTEN MOLDING #2</b></p> <p>Not available in Rustic Alder or Rustic Hickory: standard grade wood will be substituted</p>		ABATTEN-2
<p><b>DENTIL MOLDING</b></p> <p>Not available in Quarter Sawn White Oak, Red Birch, Red Grandis, Walnut, Rustic Alder or Rustic Hickory. Standard grade wood will be substituted for rustic.</p>		ADM
<p><b>DOUBLE BEAD MOLDING, 2"</b></p> <p>Not available in Rustic Alder or Rustic Hickory: standard grade wood will be substituted</p>		ADBM
<p><b>EGG &amp; DART</b></p> <p><u>Only</u> available in Maple and Cherry</p>		AEDM

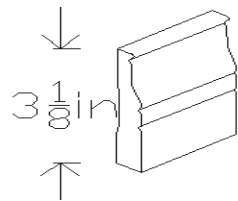
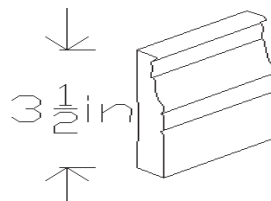
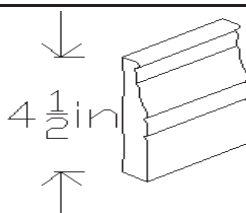
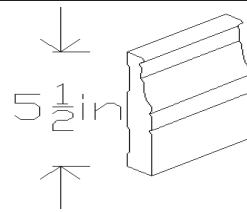
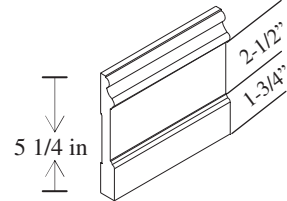
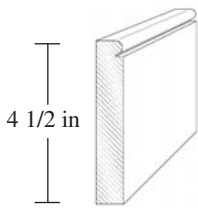
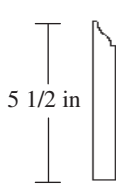
MOLDINGS, 8' LENGTHS

	PRODUCT CODE	LIST PRICE
<p><b>MATCHING TOE KICK</b></p> <p>Not available in Rustic Alder or Rustic Hickory: standard grade wood will be substituted</p> 	AMTK	
<p><b>MATCHING TOE KICK - UNIVERSAL ACCESS</b></p> <p>8 7/8" tall matching toe cover sized to fit the toe space of cabinets that have the 9" high, Universal Access Toe Modification (MUATOE) added.</p> <p>Not available in Rustic Alder or Rustic Hickory: standard grade wood will be substituted</p> 	AUAMTK	
<p><b>MIRROR MOLDING</b></p>  <ul style="list-style-type: none"> <li>• 8' length, 3/4" thick solid wood</li> <li>• Double rout on back edge: 1/2" wide X 1/8" deep for mirror with second rout measuring 1/2" wide X 1/4" deep for 1/4" backer panel</li> <li>• One face edge routed to match frame bead of door style on order as closely as possible. Specify if different frame bead is desired. Ogee frame bead not available. ("Regular" frame bead is illustrated)</li> <li>• Opposite face edge = Machine Edge. Additional routing charges per linear foot applies if other profile is specified.</li> </ul>	<p>AMM296</p> <p>AMM396</p> <p>AMM496</p>	
<p><b>OUTSIDE 45 DEGREE CORNER MOLDING</b></p> <p>Not available in Rustic Alder or Rustic Hickory: standard grade wood will be substituted</p> 	AOC-45	
<p><b>OUTSIDE CORNER MOLDING #1</b></p> <p>Not available in Rustic Alder or Rustic Hickory: standard grade wood will be substituted</p> 	AOC-1	
<p><b>OUTSIDE CORNER MOLDING #2</b></p> <p>Not available in Rustic Alder or Rustic Hickory: standard grade wood will be substituted</p> 	AOC-2	
<p><b>QUARTER ROUND</b></p> <p>Not available in Rustic Alder or Rustic Hickory: standard grade wood will be substituted</p> 	AQTRND	

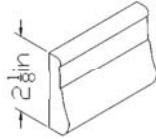
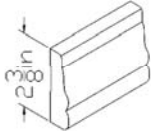
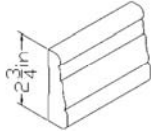
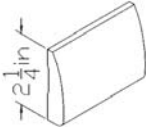
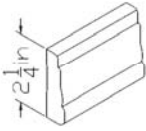
MOLDINGS, 8' LENGTHS

	PRODUCT CODE	LIST PRICE
<p><b>ROPE MOLDING</b></p> <p>Not available in Quarter Sawn White Oak, Red Birch, Red Grandis, Walnut, Rustic Alder or Rustic Hickory. Standard grade Hickory will be substituted for rustic.</p>	ARM	
		
<p><b>SCRIBE MOLDING #1</b></p> <p>Not available in Rustic Alder or Rustic Hickory: standard grade wood will be substituted</p>	ASCRIBE-1	
		
<p><b>SCRIBE MOLDING #2</b></p> <p>Not available in Rustic Alder or Rustic Hickory: standard grade wood will be substituted</p>	ASCRIBE-2	
		
<p><b>SHOE MOLDING</b></p> <p>Not available in Rustic Alder or Rustic Hickory: standard grade wood will be substituted</p>	ASHOE	
		
<p><b>SMALL COVE MOLDING</b></p> <p>Not available in Rustic Alder or Rustic Hickory: standard grade wood will be substituted</p>	ASC	
		
<p><b>SPINDLE RAIL</b></p> <p>Not available in Quarter Sawn White Oak, Walnut, Red Birch, Red Grandis Rustic Alder or Rustic Hickory. Standard grade Hickory will be substituted for rustic.</p>	ASPINDLE	
		

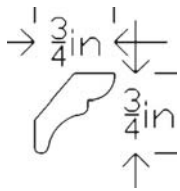
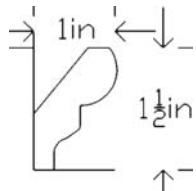
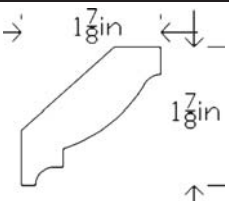
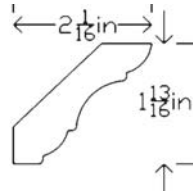
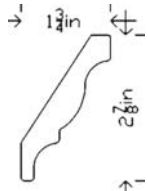
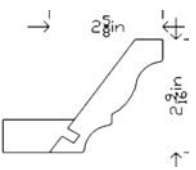
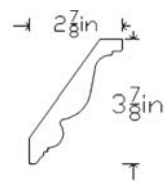
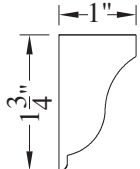
BASE MOLDINGS, 8' LENGTHS

		PRODUCT CODE	LIST PRICE
<b>BASE MOLDING #1</b>		ABM1	
<b>BASE MOLDING #2</b>		ABM2	
<b>BASE MOLDING #3</b>		ABM3	
<b>BASE MOLDING #4</b>		ABM4	
<b>BASE MOLDING #5</b>		ABM5	
<b>BASE MOLDING #6</b>		ABM6	
<b>BASE MOLDING, OGEE EDGE</b>		ABM-OGEE	

**CASE MOLDINGS, 8' LENGTHS**

		PRODUCT CODE	LIST PRICE
<b>CASE MOLDING #1</b>		ACM1	
<b>CASE MOLDING #2</b>		ACM2	
<b>CASE MOLDING #3</b>		ACM3	
<b>CASE MOLDING #4</b>		ACM4	
<b>CASE MOLDING #5</b>		ACM5	

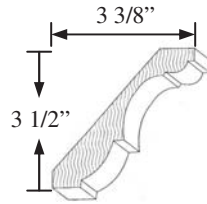
CROWN MOLDINGS, 8' LENGTHS

	PRODUCT CODE	LIST PRICE
<p><b>CROWN MOLDING A</b></p> <p>Not available in Rustic Alder or Rustic Hickory: standard grade wood will be substituted</p>		ACROWNA
<p><b>CROWN MOLDING #1</b></p> <p>Not available in Rustic Alder or Rustic Hickory: standard grade wood will be substituted</p>		ACROWN1
<p><b>CROWN MOLDING #2</b></p>		ACROWN2
<p><b>CROWN MOLDING #3</b></p>		ACROWN3
<p><b>CROWN MOLDING #4</b></p>		ACROWN4
<p><b>CROWN MOLDING #5</b></p>		ACROWN5
<p><b>CROWN MOLDING #6</b></p>		ACROWN6
<p><b>CROWN MOLDING #7</b></p> <p>(Typical molding used on Brighton's hoods.)</p>		ACROWN7

**CROWN MOLDINGS, 8' LENGTHS**

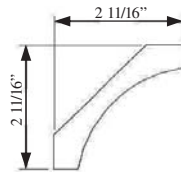
**PRODUCT  
CODE      LIST  
PRICE**

**CROWN MOLDING #8**



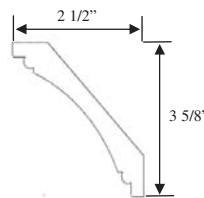
ACROWN8

**CROWN MOLDING #9**



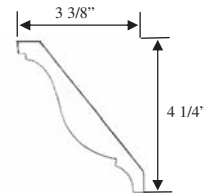
ACROWN9

**CROWN MOLDING #10**



ACROWN10

**CROWN MOLDING #11**

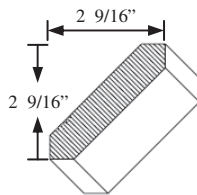


ACROWN11

**CROWN MOLDING, SHAKER STYLE (PLAIN)**

- Please quote if overall size or angles are to be changed from standard as pictured.

Not available in Rustic Alder or Rustic Hickory: standard grade wood will be substituted.

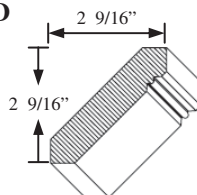


ACROWNSHKR

**CROWN MOLDING, SHAKER STYLE BEADED**

- Please quote if overall size or angles are to be changed from standard as pictured.

Not available in Rustic Alder or Rustic Hickory: standard grade wood will be substituted.



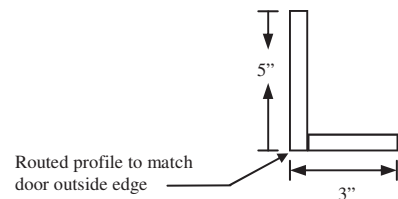
ACROWNSHBD

**RISER FOR MOLDING**

- 3/4" thick, 8' long pieces pre-assembled riser for use when installing top molding, typically crown molding.
- Bottom edge routed with same profile as door outside edge. Machine edge for Sardinia and Valletta doors.

Note: Keep in mind that FOL-C upper cabinets include 1" additional reveal at the top rail for molding application and Inset upper cabinets include 1 1/2" additional reveal at the top rail.

ARISER



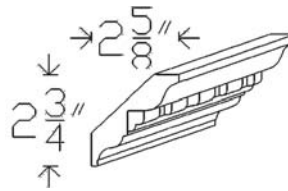


CROWN / INSERT MOLDINGS

PRODUCT  
CODE LIST  
PRICE

**CROWN MOLDING WITH DENTIL**

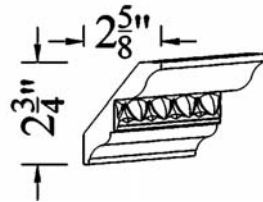
Not available in Quarter Sawn White Oak, Red Birch, Red Grandis, Walnut, Rustic Alder or Rustic Hickory.  
Standard grade Hickory will be substituted for rustic.



ADMCM

**CROWN MOLDING WITH EGG & DART**

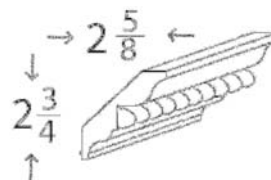
Not available in Quarter Sawn White Oak, Red Birch, Red Grandis, Walnut, Rustic Alder or Rustic Hickory.  
Standard grade Hickory will be substituted for rustic.



AEDCM

**CROWN MOLDING WITH ROPE**

Not available in Quarter Sawn White Oak, Red Birch, Red Grandis, Walnut, Rustic Alder or Rustic Hickory.  
Standard grade Hickory will be substituted for rustic.

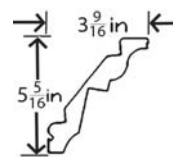


ARMCM

**LARGE CROWN MOLDING-AC-1621**

- Accepts large decorative insert, ordered separately (see below).

Only available in Maple, Red Oak, and Cherry

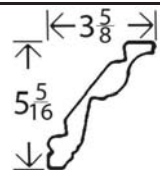


AC-1621

**LARGE CROWN MOLDING-AC-1622**

- Accepts large decorative insert, ordered separately (see below).

Only available in Maple, Red Oak, and Cherry

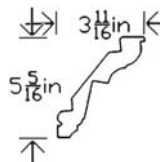


AC-1622

**LARGE CROWN MOLDING-AC-1623**

- Accepts large decorative insert, ordered separately (see below).

Only available in Maple, Red Oak, and Cherry

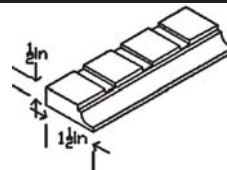


AC-1623

**LARGE DENTIL MOLDING**

- Used as insert with AC-16 series crown moldings

Only available in Maple, Red Oak, and Cherry



ALDM

**LARGE EGG & DART MOLDING**

- Used as insert with AC-16 series crown moldings

Only available in Maple, Red Oak, and Cherry

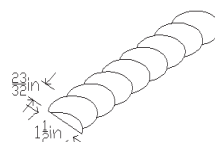


ALEDM

**LARGE ROPE MOLDING**

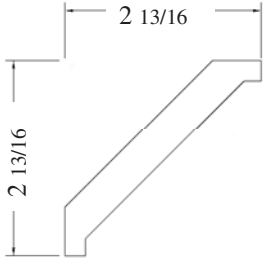
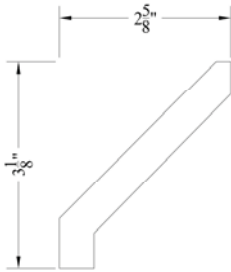
- Used as insert with AC-16 series crown moldings

Only available in Maple, Red Oak, and Cherry



ALRM

CROWN MOLDINGS, 8' LENGTHS

	PRODUCT CODE	LIST PRICE
<b>CROWN MOLDING #12</b>		ACROWN12
<b>CROWN MOLDING #13</b>		ACROWN13

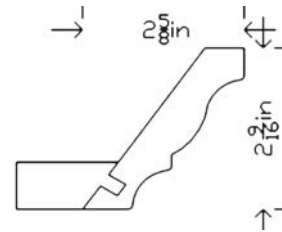
RADIUS MOLDINGS

**RADIUS CROWN MOLDING (matches ACROWN5)**

- Priced per piece
- One piece will cover the face frame of standard WRC
- Please contact customer service for other radius molding options
- CROWN5R must be quoted if needed without heel mounting plate

Not available in Rustic Alder or Rustic Hickory: standard grade wood will be substituted.

CROWN5R

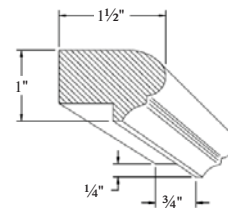


**RADIUS LIGHT RAIL MOLDING #1 (matches ALR1)**

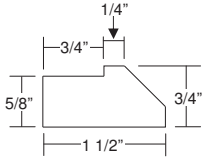
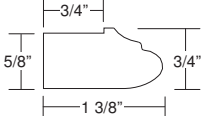
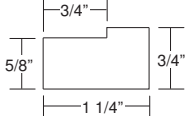
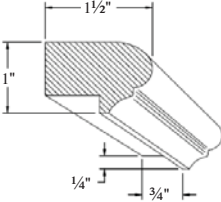
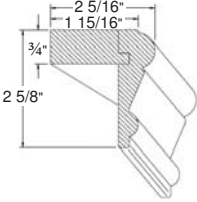
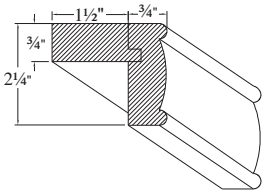
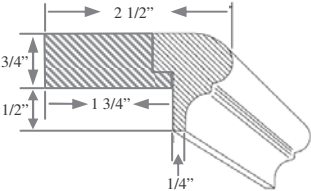
- Priced per piece
- One piece will cover the face frame of standard WRC
- Please contact customer service for other radius molding options

Not available in Rustic Alder or Rustic Hickory: standard grade wood will be substituted.

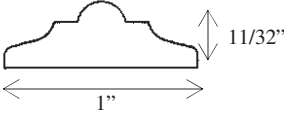


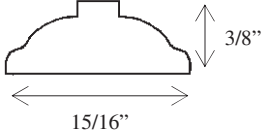
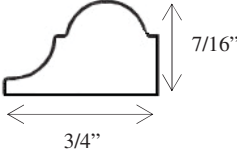
ALR1R



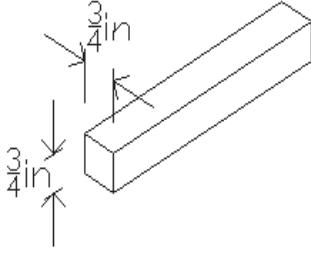
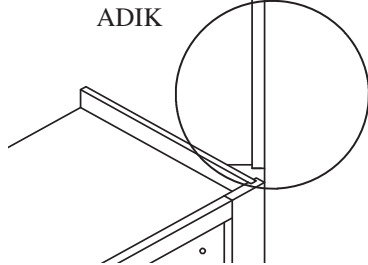
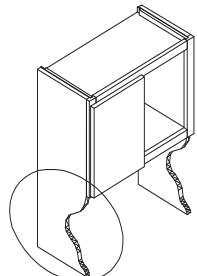
LIGHT RAIL MOLDINGS, 8' LENGTHS

	PRODUCT CODE	LIST PRICE
<b>BEVELED LIGHT RAIL</b>  	ABVLR	
<b>SMALL LIGHT RAIL</b>  	ASMLR	
<b>SQUARE LIGHT RAIL</b>  	ASQLR	
<b>LIGHT RAIL #1</b>  Not available in Rustic Alder or Rustic Hickory: standard grade wood will be substituted	ALR1	
		
<b>LIGHT RAIL #3</b>  Not available in Rustic Alder or Rustic Hickory: standard grade wood will be substituted	ALR3	
		
<b>LIGHT RAIL #4</b>  Not available in Rustic Alder or Rustic Hickory: standard grade wood will be substituted	ALR4	
		
<b>LIGHT RAIL #5</b>  Not available in Rustic Alder or Rustic Hickory: standard grade wood will be substituted	ALR5	
		

PANEL MOLDINGS, 8' LENGTHS

	PRODUCT CODE	LIST PRICE
<p><b>PANEL MOLDING #1</b></p> <p>Not available in Rustic Alder or Rustic Hickory: standard grade wood will be substituted.</p>	APM1	
		
<p><b>PANEL MOLDING #2</b></p> <p>Not available in Rustic Alder or Rustic Hickory: standard grade wood will be substituted.</p>	APM2	
		
<p><b>PANEL MOLDING #3</b></p> <p>Not available in Rustic Alder or Rustic Hickory: standard grade wood will be substituted.</p>	APM3	
		
<p><b>PANEL MOLDING #4</b></p> <p>Not available in Rustic Alder or Rustic Hickory: standard grade wood will be substituted.</p>	APM4	
		
<p><b>PANEL MOLDING #5</b></p> <p>Not available in Rustic Alder or Rustic Hickory: standard grade wood will be substituted.</p>	APM5	
		

**MOLDINGS, 8' LENGTHS / ACCESSORIES**

	PRODUCT CODE	LIST PRICE
<p><b>3/4" SQUARE MOLDING</b></p> <ul style="list-style-type: none"> <li>Edge routing is not available. If a routed profile is needed, please order FS1.5 and specify the width as 3/4" along with the desired profile and routing charges.</li> </ul> <p>Not available in Rustic Alder or Rustic Hickory: standard grade wood will be substituted.</p>		
	ASQM	
		
<p><b>FRAME STOCK -8' LENGTHS</b></p> <ul style="list-style-type: none"> <li>Priced per 8 foot length</li> <li>3/4" solid wood</li> <li>Standard edge is square. Specify edge profile if required.</li> <li>Add routing charges <b>PER LINEAR FOOT.</b></li> <li>Standard = finish on one face and two long edges.</li> </ul>		
	FS1.596 (1 1/2" X 3/4") FS296 (2" X 3/4") FS396 (3" X 3/4") FS4.596 (4 1/2" X 3/4") FS596 (5" X 3/4") FS696 (6" X 3/4")	
<p><b>FRAME STOCK PER LINEAR FOOT</b></p> <ul style="list-style-type: none"> <li>Priced per linear foot.</li> <li>3/4" solid wood.</li> <li>Standard edge is square. Specify edge profile if required.</li> <li>Add routing charges per linear foot.</li> <li>Standard = finish on one face and two long edges.</li> </ul>		
	FS1.5LF (1 1/2" X 3/4") FS2LF (2" X 3/4") FS3LF (3" X 3/4") FS4.5LF (4 1/2" X 3/4") FS5LF (5" X 3/4") FS6LF (6" X 3/4")	
<p><b>ROUTING</b></p> <ul style="list-style-type: none"> <li>Routing on frame stock is priced per linear foot and per edge.</li> <li>Available profiles include C2, PRS2, L149, V2, L059, MA-CHINE, LC2, E2, 297, and Ogee. See the door edge profile pages in the Introduction for representations of the shapes.</li> </ul>		
	ROUTING	\$ /ln ft
<p><b>DIAGONAL INSTALL KIT</b></p> <ul style="list-style-type: none"> <li>Includes 1 piece of corner molding and 1 piece of 3/4" thick end panel, assembled and finished at the factory.</li> <li>Return depth is 35 1/2" including molding.</li> <li>Kit is shipped 96" tall and may be cut down in the field.</li> <li>Field attach to edge of cabinet frame.</li> </ul>		
	ADIK	
		
<p><b>HUTCH ENDS</b></p> <ul style="list-style-type: none"> <li>3/4" Plywood with edge-banding on the show edge.</li> <li>Hutch ends are finished on both sides to match specie and finish of order.</li> <li>Hutch ends are 18" tall plus cabinet height, specify if other dimensions are needed.</li> <li>When factory installed, the hutch ends sit behind the frame, flush with the outer face frame edges.</li> </ul>		
	AHND	
		
<p><b>PLINTE BLOCK MATERIAL</b></p> <ul style="list-style-type: none"> <li>Plinthe block material is 1 1/16" thick.</li> <li>Specify width X length, grain will run with the length.</li> <li>Example (4" X 6"=24 sq in X 2=\$48.00 list)</li> </ul>		
	APBM	\$ Per Square inch

ACCESSORIES
-------------

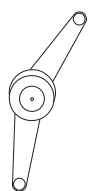
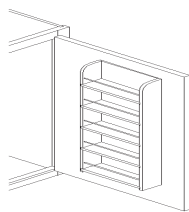

	PRODUCT CODE	LIST PRICE
<b>LOOSE DOOR</b> <ul style="list-style-type: none"> <li>• Minimum charge of one square foot applies for each piece ordered.</li> <li>• Specify dimensions, W x L.</li> <li>• Specify if for wall, base or tall.</li> <li>• Standard has no hinge or hinge bore. Specify left or right for hinge side, if needed. No additional charge required for hinging.</li> <li>• Specie and finish charges apply.</li> <li>• Add pricing for mullions when ordered.</li> <li>• Level 2+ door designs will receive the applicable +\$ upcharge per piece.</li> </ul>	ALBDP (base) ALTDP (tall) ALWDP (wall)	\$ / SQ FT (minimum 1 sq ft)
<b>LOOSE DRAWER FRONT</b> <ul style="list-style-type: none"> <li>• No minimum square foot charge for loose drawer front.</li> <li>• Specify by slab, 1 inch slab, 5-piece flat, or 5-piece raised.</li> <li>• Specify dimensions, W x H.</li> <li>• Specie and finish charges apply.</li> <li>• Level 2+ designs will receive the applicable +\$ upcharge per piece.</li> </ul>	ALDFSLAB ALDF1INSLAB ALDF5PC-F ALDF5PC-R	\$ / SQ FT \$ / SQ FT \$ / SQ FT \$ / SQ FT
<b>PLASTIC INSERT</b> <ul style="list-style-type: none"> <li>• Retainer for glass windows added to doors with mullions or prepped for glass.</li> </ul>	PLASTIC INSERT	\$ / FT
<b>BUMPER</b> <ul style="list-style-type: none"> <li>• Priced per 100</li> </ul>	BUMPER	
<b>MAGNETIC TOUCH LATCHES</b> Must be used with free swing style hinge only. Will not function correctly with <u>self</u> closing hinge. All of Brighton's concealed hinges (cup hinges) and knife hinges are <u>self</u> closing.	ATL-L (Loose) ATL-I (Installed)	
<b>LOCKS FOR CABINETS</b>	LOCKS	QUOTE ONLY
<b>ROUTED FINGER PULLS</b> <ul style="list-style-type: none"> <li>• Priced per finger pull</li> <li>• Due to very small gaps between doors and/or drawer fronts, finger pulls are not recommended for FOL-C.</li> <li>• Not available on Madrid, Sardinia, or Valletta door design or for doors with the E-2 outside edge such as Meadowview and Fairfield.</li> <li>• Not available on Inset or SOLK-Lipped doors.</li> </ul>	AFINGERPULL	
<b>SOFT CLOSE DOOR PLUNGER (loose)</b> <ul style="list-style-type: none"> <li>• Priced per plunger</li> <li>• Not available for use with inset hinge or knife hinge doors.</li> <li>• Not recommended for use on pie cut doors.</li> <li>• Please specify FOL or SOL</li> </ul>	ASCDP-FOL ASCDP-SOL	\$ / piece
<b>86° ANGLE RESTRICTION CLIP (loose)</b> <ul style="list-style-type: none"> <li>• Restricts door opening to 86 degrees.</li> <li>• Priced per clip. (One clip per hinge.)</li> <li>• Only for concealed hinges with the integrated soft close feature: full-overlay (FOL-C), semi-overlay (SOL-C), inset concealed (INS-CONC)</li> </ul>	A86ARC-OL overlay-concealed hinge  A86ARC-INS inset-concealed hinge	\$ / each  \$ / each



ACCESSORIES
-------------

	PRODUCT CODE	LIST PRICE
<b>GLASS INSERTS FOR DOORS</b>		
<ul style="list-style-type: none"> <li>• 1/8" thick glass, ships in door</li> <li>• Maximum door height of 42"</li> <li>• All directional patterns will be vertical unless otherwise specified by the customer</li> <li>• Priced per square foot</li> <li>• <u>Must</u> select tempered, clear glass for base level applications. Contact customer service for tempered, patterned glass availability and pricing.</li> <li>• Glass inserts other than clear, non-patterned glass or mirror may contain inconsistencies or imperfections. This occurs naturally during the glass manufacturing process and will not be considered cause for warranty.</li> </ul>		
<b>CLEAR, DOUBLE STRENGTH GLASS</b>	CLGLS	\$ / sq ft
<b>PATTERN 62</b>	P62GLS	\$ / sq ft
<b>WATER GLASS</b>	WATERGLS	\$ / sq ft
<b>REED GLASS (1/2" spacing)</b>	REEDGLS	\$ / sq ft
<b>CROSS REED GLASS (1/2" squares)</b>	CRSRDGLS	\$ / sq ft
<b>THIN REED GLASS (1/8" spacing)</b>	THINRDGLS	\$ / sq ft
<b>SEEDED GLASS</b>	SEEDGLS	\$ / sq ft
<b>CRACKLED GLASS</b>	CRKLGLS	\$ / sq ft
<b>FROSTED GLASS</b>	FROSTGLS	\$ / sq ft
<b>LEAF PRINT GLASS</b>	LFPRGLS	\$ / sq ft
<b>MIRROR, 1/8" THICK</b>	MIRR18	\$ / sq ft
<p>If the mirror will be viewed from approximately 5 feet away or more, it is recommended that thicker glass is used because 1/8" thick glass can distort the reflected image. To achieve this when adding mirror into a door you must include the <u>Beveled Edge Option</u> in conjunction with the <u>Mirror</u> option.</p>		
<b>TEMPERED, CLEAR GLASS</b>	TEMPERED	\$ / sq ft*
<p>All doors at base level with glass inserts shipped from the factory will be <u>clear</u> tempered glass. *Additional charges may apply if the diagonal measurement of the glass is less than 17".</p>		
<b>BEVELED EDGE OPTION</b>	BVLDEEDGE	LIST (from above) +% /sq ft
<p>Beveled edge glass inserts are 1/4" thick beveled to 1/8" thick edges. Approximately 3/4" of bevel will be visible.</p>		

ACCESSORIES

		PRODUCT CODE	LIST PRICE
<b>WASTE BIN</b>			
Replacement waste bin container. Priced individually. Shipped loose.	20 qt / white	AWSTBIN20-WH	
	35 qt / white	AWSTBIN35-WH	
	35 qt / pewter	AWSTBIN35-PT	
	50 qt / white	AWSTBIN50-WH	
	50 qt / pewter	AWSTBIN50-PT	
<hr/>			
<b>LOOSE HINGE</b>			
Priced per individual hinge	Full overlay concealed with soft close	FOLC	
	Full overlay concealed, 90 degree	FOLC90	
	Semi overlay concealed with soft close	SOLC	
	Semi overlay concealed, 90 degree	SOLC90	
	Semi overlay knife	SOLK	
	Semi overlay knife, lipped door	SOLKLIP	
	Pie cut, hinges door to frame	PIECUT170	
	Pie cut, hinges door to door	PIECUT60	
	Black inset	INSBLK	
	Polished brass inset	INSPBR	
	Nickel inset	INSNIC(ball)	
	Sterling Nickel inset	INSSTNIC(minaret)	
	Oil rubbed bronze inset	INSOLRBBZ	
	Wrought iron inset	INSWRTIRN	
	Antique English inset	INSANENG	
Concealed inset with soft close	CONCINSET		
<hr/>			
<b>DOOR STAY, LOOSE</b>			
Supports a door hinged to the top of a cabinet			
Priced per piece			
Will not fit frame opening less than 7" high			
Shipped loose for field install			
		ADSTAY-LOOSE	\$ / piece
<hr/>			
<b>SPICE RACK</b>			
Wood rack with fixed shelves mounted on cabinet door.			
Approximately 2" less than door size.			
		ASROD	
<hr/>			
<b>WOOD KNOBS</b>			
Only available in Maple, Red Oak and Cherry			
		AKNOBM (maple)	\$ / piece
		AKNOBC (cherry)	\$ / piece
		AKNOBO (red oak)	\$ / piece

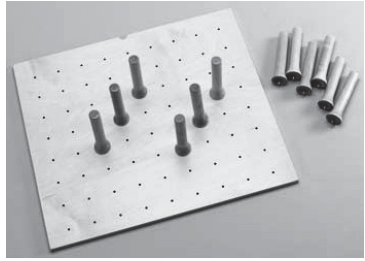


ACCESSORIES

	PRODUCT CODE	LIST PRICE
--	--------------	------------

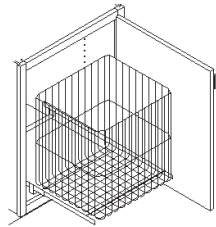
**DRAWER PLATE ORGANIZER**  
 Maple pegboard used to store plates, bowls, etc. in deep drawers.  
 Priced per drawer.  
 Includes adjustable posts. See chart for quantity shipped with specific cabinet widths.

Cabinet Width	# posts
27" wide and under	9
Larger than 27" thru 33" wide	12
Larger than 33" thru 42" wide	16



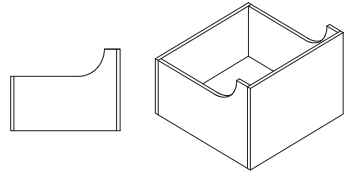
ADPLO

**HAMPER BASKET ROLLOUTS**  
 Add to cabinet price.  
 White epoxy coated steel wire basket.  
 Glides mounted to bottom of cabinet.



AROHB

**UTILITY BIN PULLOUT**  
 Available in 15" thru 21" wide cabinets only.  
 10" deep box, scooped.  
 1/2" bottom.  
 Blumotion undermount glides



AUB

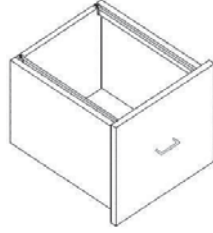
**KNIFE BLOCK**  
 Block made of maple and will fit in top drawer of B15 and smaller.  
 Or if the cabinet has two side-by-side top drawers, fits a single drawer of a 30" wide cabinet or smaller.



AKB

**HANGING FILE RAILS**  
 One pair hanging file rails installed in drawer. Front to back rails illustrated.  
**Standard guidelines for file rail direction:**  
 Cabinets with a frame opening of less than 15" wide will have file rails that run side to side. Cabinets with a 15" wide frame opening or greater will have file rails that run front to back. Specify direction of file rails only if different from standard. (15" wide cabinets cannot accept front to back file rails.)  
 Cannot fit most standard cabinet configurations (needs a 10" deep box to accommodate, MFC will be needed on cabinet to make this change)

AHANGINGFILE      \$ / one pair of rails

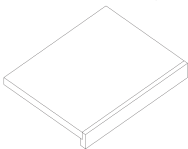
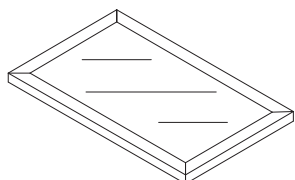
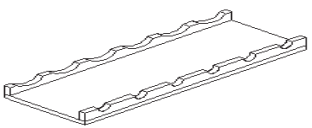
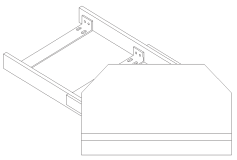


**LOOSE ROLLOUT LADDERS**  
 Sold per individual piece, not per set.

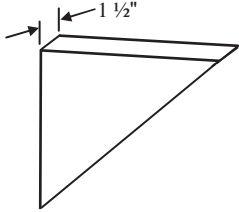
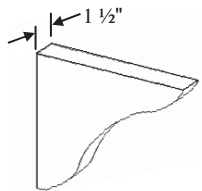



ALAD      \$ /per foot

ACCESSORIES

	PRODUCT CODE	LIST PRICE
<p><b>LOOSE SHELF-STANDARD</b> Specify dimensions (width X length) 3/4" UV Birch veneer plywood with one length edge banded.</p>	SHELF	\$ / SQ FT
<p><b>LOOSE MATCHING WOOD SHELF FINISHED</b> Specify dimensions (width X length) Specify specie and stain, both sides finished. 3/4" plywood with one length edge banded. Specie and finish charges apply.</p>	MWISHELF	\$ / SQ FT
<p><b>LOOSE BOOKCASE SHELF</b> Specify dimensions (width X length) Specify specie and stain, both sides finished. 1 1/2" frame stock add to one long edge. Specie and finish charges apply.</p>	BCSHELF	\$ / SQ FT
		
<p><b>WOOD FRAMED GLASS SHELF</b> 3/4" thick x 1 1/2" wide wood frame with routed lip to hold 1/4" thick clear glass. Glass will <u>not</u> be secured in frame. Wood frame will match the interior of the cabinet. If the cabinet does not have a finished interior, the frame will be Maple/Natural unless otherwise specified. Add to any 13" or 16" deep cabinet.</p>	AWFGSHELF	\$ / SQ FT
		
<p><b>1/4" GLASS SHELF</b> 1/4" thick glass shelf with penciled edge If ordered loose, specify dimensions (width X length) Includes cushioned shelf pegs</p>	AGLASSSHELF14	\$ / SQ FT
<p><b>WINE RACK BOTTLE SHELF</b> Price per square foot. 4 1/2" centers on rail holders. Specie and finish charges apply.</p>	WRBS SHELF	\$ / SQ FT
		
<p><b>SHELF PEGS</b> Priced per 100</p>	SHELF PEGS	
<p><b>MULTI-FOOD STORAGE SHELF CLIPS</b> Used for Multi Food Storage Shelves Can be used for shelves up to 5/16" thick. Specify if for shelves over 5/16" thick.</p>	MFS CLIP	\$ PER CLIP
<p><b>GLASS SHELF PEGS</b> Cushioned shelf pegs designed for use with glass shelves Priced for a set of four pegs.</p>	GLS PEGS	\$ PER SET
<p><b>TV PULLOUT SWIVEL</b> 180 lb. capacity. 360 degree swivel. Hardware mechanism with wood shelf attached.</p>	ATVS	
		

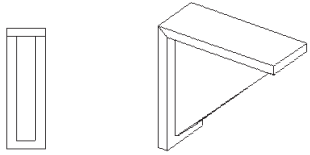
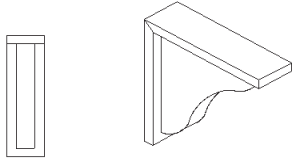

ACCESSORIES

	PRODUCT CODE	LIST PRICE
<p><b>WOOD SHELF SUPPORT, ANGLED</b></p> <p>1 1/2" thick solid wood            90 degree triangular shape with angled front edge            Provide a sketch if special design is require</p>	<p>WSSA9            WSSA12            WSSA15</p>	
<p><b>WOOD SHELF SUPPORT, RADIUS</b></p> <p>1 1/2" thick solid wood            90 degree triangular shape with radius front edge            Provide a sketch if special design is required.</p>	<p>WSSR9            WSSR12            WSSR15</p>	
<p><b>WOOD SHELF SUPPORTS, DECORATIVE</b></p> <p>1 1/2" thick solid wood            90 degree triangular shape with radius front edge            Provide a sketch if special design is required.            Routed on both sides with rosette            Front, 1 1/2" radius edge, is fluted. See photo at bottom of page.</p>	<p>WSSD9            WSSD12            WSSD15</p>	



Close up view of fluting on front radius edge.

ACCESSORIES

	PRODUCT CODE	LIST PRICE
<p><b>WOOD SHELF SUPPORT, ANGLED WITH BRACKET</b></p> <p>3" wide, 3/4" thick solid wood bracket attached to 1 1/2" wide shelf supports. Bracket extends 3/4" beyond all edges of the support. Example: WSSAB9 will have overall finished dimensions of 3"W x 9"H x 9"D. 90° triangular shape with angled front edge, attached to bracket. Provide a sketch if special design is required.</p>	<p>WSSAB9 WSSAB12 WSSAB15</p>	
<p><b>WOOD SHELF SUPPORT, RADIUS WITH BRACKET</b></p> <p>3" wide, 3/4" thick solid wood bracket attached to 1 1/2" wide shelf supports. Bracket extends 3/4" beyond all edges of the support. Example: WSSRB9 will have overall finished dimensions of 3"W x 9"H x 9"D. 90° triangular shape with radius front edge, attached to bracket. Provide a sketch if special design is required.</p>	<p>WSSRB9 WSSRB12 WSSRB15</p>	
<p><b>WOOD SHELF SUPPORTS, DECORATIVE WITH BRACKET</b></p> <p>3" wide, 3/4" thick solid wood bracket attached to 1 1/2" wide shelf supports. Bracket extends 3/4" beyond all edges of the support. Example: WSSDB9 will have overall finished dimensions of 3"W x 9"H x 9"D. 90° triangular shape with radius front edge, attached to bracket. Provide a sketch if special design is required Routed on both sides with rosette Front, 1 1/2" radius edge, is fluted. See photo at bottom of page. Fluted on all 3/4" edges of brackets. See photo at bottom of page.</p>	<p>WSSDB9 WSSDB12 WSSDB15</p>	

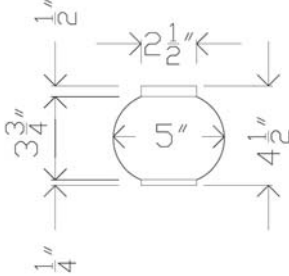
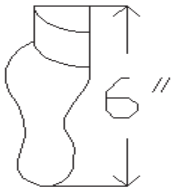
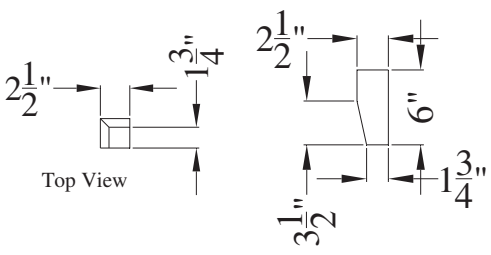
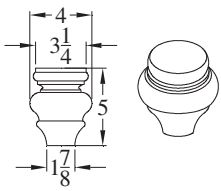


Close up view of fluting on front radius edge.

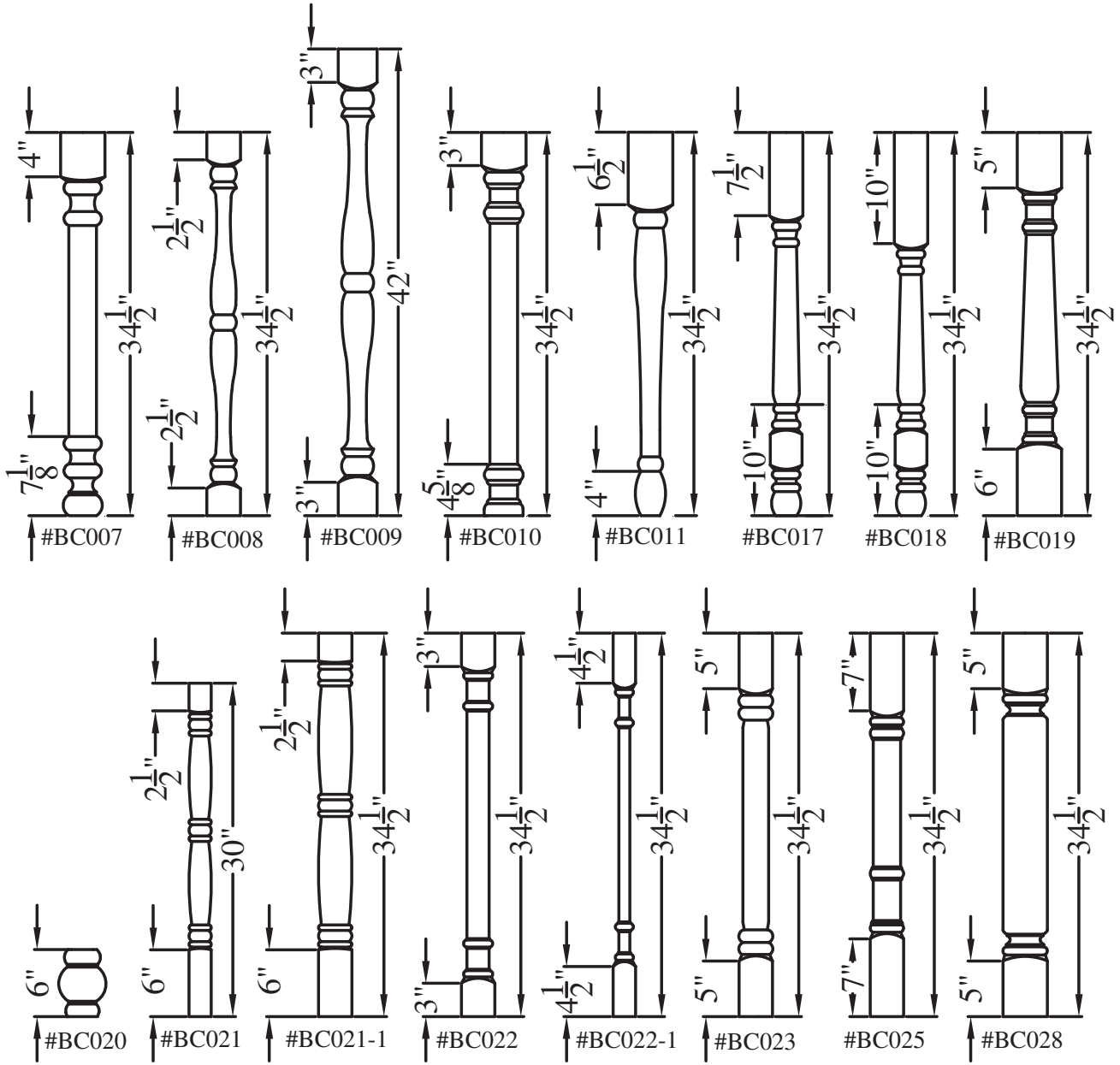


Close up view of fluted edge of bracket

ACCESSORIES

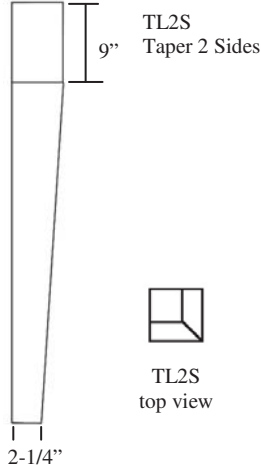
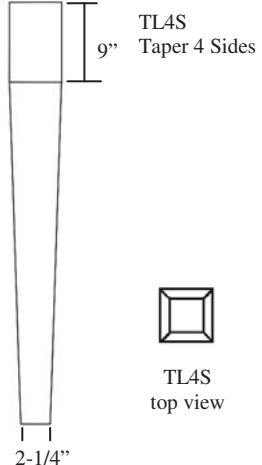
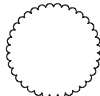
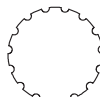
	PRODUCT CODE	LIST PRICE
<p><b>BUN FEET</b></p> <p>Loose will ship at 4 1/2" tall.            Installed will take up the 4 1/2" H toe space and will increase the toe space depth.            5" diameter            Stem is 1/2" tall.            For loose installation: It is recommended that the toe kick depth of the cabinet be increased. Blocking (not provided) is required to attach the foot in the field.</p>		<p>ABNFTL (Loose)</p> <p>ABNFTI (Installed)</p>
<p><b>FRENCH LEG</b></p> <p>Loose will be 6" tall.            Installed will take up the 4 1/2" H toe space.</p>		<p>AFRLGL (Loose)</p> <p>AFRLGI (Installed)</p>
<p><b>TAPERED FEET</b></p> <p>Loose will be 6" tall.            Installed will take up the 4 1/2" H toe space.            Flushed Finished Ends should be used when installed in the Factory.</p>		<p>ATAFTL (Loose)</p> <p>ATAFTI (Installed)</p>
<p><b>SQUARE FOOT</b></p> <p>Offered at 2" x 2" or 2 1/2" x 2 1/2" widths.            Loose will be 6" tall.            Installed will take up the 4 1/2" H toe space.            Flushed Finished Ends should be used when installed in the factory.</p>		<p>ASQFTL-2            ASQFTL-2.5 (Loose)</p> <p>ASQFTI-2            ASQFTI-2.5 (Installed)</p>
<p><b>COUNTRY FRENCH FEET</b></p> <p>Loose will be 5" tall.            Installed will take up the 4 1/2" H toe space and will increase the toe space depth.            4" diameter            For loose installation: It is recommended that the toe kick depth of the cabinet be increased. Blocking (not provided) is required to attach the foot in the field.</p>		<p>ACFFTL (Loose)</p> <p>ACFFTI (Installed)</p>

**TURNPOST DESIGNS**



**NOTE:** Most of the sketches shown above depict a turned post from 3" to 4" wide. When the width of the post is reduced or enlarged, the appearance may slightly change. You may request a CAD drawing prior to placing your order to determine if the required dimensions result in a desirable appearance. For base applications it is recommended that the post be ordered at a taller height for exact field trimming.

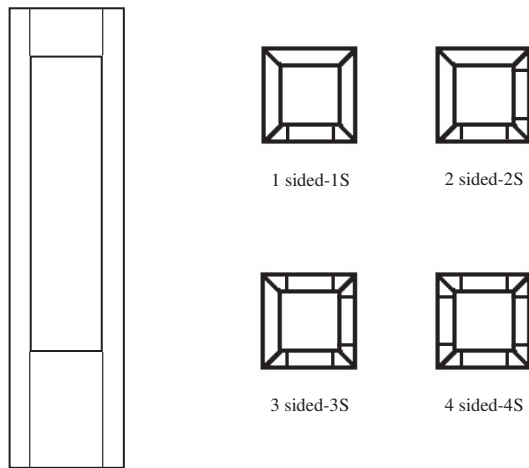
ACCESSORIES


		PRODUCT CODE	LIST PRICE
<p><b>TURNED POST</b>—See illustration page for selection</p> <p>Maximum height is 48", maximum width is 6", if a larger post is required, please send for a quote.</p> <p>Please specify overall dimensions of post and specific post design number as shown on illustration page.</p> <p>Custom designs at these sizes are available. Quote prior to order is recommended for availability, include drawing.</p>	less than and equal to 3" wide	ATPST330	
		ATPST334.5	
		ATPST336	
		ATPST342	
		ATPST348	
<p><b>SQUARE LEG</b> - All wood, square post</p> <p>Use <b>ATPST</b> and specify post design <b>SQL</b></p>	larger than 3" and equal to 4" wide	ATPST430	
		ATPST434.5	
		ATPST436	
		ATPST442	
		ATPST448	
<p><b>TAPERED LEG</b> - See Illustration</p> <p>2 sided leg use <b>ATPST</b> and specify post design <b>TL2S</b></p> <p>4 sided leg use <b>ATPST</b> and specify post design <b>TL4S</b></p>	larger than 4" and equal to 5" wide	ATPST530	
		ATPST534.5	
		ATPST536	
		ATPST542	
		ATPST548	
<div style="display: flex; justify-content: space-around; align-items: flex-start;"> <div style="text-align: center;">  <p>TL2S Taper 2 Sides</p> <p>9"</p> <p>2-1/4"</p> <p>TL2S top view</p> </div> <div style="text-align: center;">  <p>TL4S Taper 4 Sides</p> <p>9"</p> <p>2-1/4"</p> <p>TL4S top view</p> </div> </div>	larger than 5" and equal to 6" wide	ATPST630	
		ATPST634.5	
		ATPST636	
		ATPST642	
		ATPST648	
<p><b>REEDS ON TURNPOST (3" to 6" diameter)</b></p>		 <p>TOP VIEW</p>	MTPR
<p><b>FLUTES ON TURNPOST (3" to 6" diameter)</b></p>		 <p>TOP VIEW</p>	MTPF
<p><b>SPLIT POST</b></p> <ul style="list-style-type: none"> <li>• Add this modification charge to Turn Post selected.</li> <li>• 2-half posts will be shipped.</li> </ul>		MSPLPST	%

ACCESSORIES

		PRODUCT CODE	LIST PRICE
<b>SQUARE PILASTER COLUMN</b> 5" wide x 5" deep square hollow column. 34 1/2' high. Mortise and tenon construction with 1 1/2" stiles. Wide top and bottom rails to closely match a wainscot panel look. When available the inside frame bead will match the door style on the order. When a matching frame bead cannot be used, the Square frame bead will be used instead. Available as 1-side, 2-side, 3-side, 4-side with decorative panels.	1 side	ASQPC1	
	2 side	ASQPC2	
	3 side	ASQPC3	
	4 side	ASQPC4	

This item can be shipped in two halves, prepped with biscuit joints, for field assembly. Select **MSPLPST**, split post, for this modification.



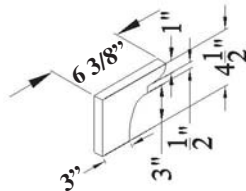
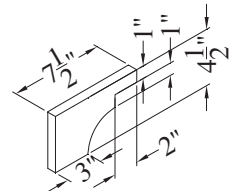
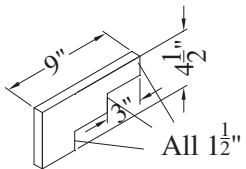
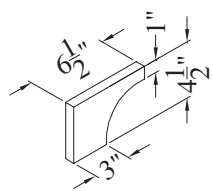
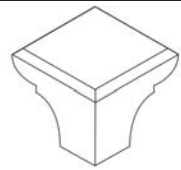
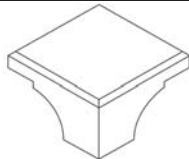
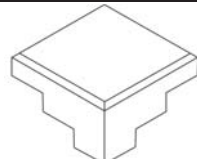
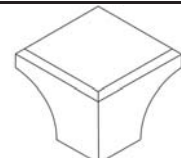
<b>SQUARE HOLLOW COLUMN</b> 6" wide x 6" deep plywood, square hollow column. Priced per linear foot of column height. Shipped in two halves, prepped with biscuit joints for field assembly.		ASHC	\$ / linear foot
---	---	------	------------------------





## NOTES

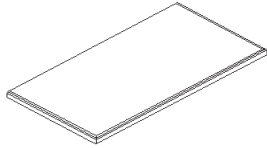
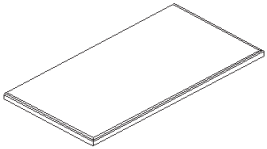
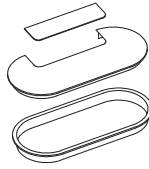
**ACCESSORIES**

		PRODUCT CODE	LIST PRICE
<p><b>HALF SHAKER FOOT STYLE A</b></p> <p>Specify left [L] or right [R] end. Any changes to size will require a quote.</p>		<p>ASHFTAL (Loose)</p> <p>ASHFTAI (Installed)</p>	
<p><b>HALF SHAKER FOOT STYLE B</b></p> <p>Specify left [L] or right [R] end. Any changes to size will require a quote.</p>		<p>ASHFTBL (Loose)</p> <p>ASHFTBI (Installed)</p>	
<p><b>HALF SHAKER FOOT STYLE C</b></p> <p>Specify left [L] or right [R] end. Any changes to size will require a quote.</p>		<p>ASHFTCL (Loose)</p> <p>ASHFTCI (Installed)</p>	
<p><b>HALF SHAKER FOOT STYLE D</b></p> <p>Specify left [L] or right [R] end. Any changes to size will require a quote.</p>		<p>ASHFTDL (Loose)</p> <p>ASHFTDI (Installed)</p>	
<p><b>CORNER SHAKER FOOT STYLE A</b></p> <p>Each face will measure 6 3/8" W x 4 1/2" H</p>		<p>ASCFTAL (Loose)</p> <p>ASCFTAI (Installed)</p>	
<p><b>CORNER SHAKER FOOT STYLE B</b></p> <p>Each face will measure 7 1/2" W x 4 1/2" H</p>		<p>ASCFTBL (Loose)</p> <p>ASCFTBI (Installed)</p>	
<p><b>CORNER SHAKER FOOT STYLE C</b></p> <p>Each face will measure 9" W x 4 1/2" H</p>		<p>ASCFTCL (Loose)</p> <p>ASCFTCI (Installed)</p>	
<p><b>CORNER SHAKER FOOT STYLE D</b></p> <p>Each face will measure 6 1/2" W x 4 1/2" H</p>		<p>ASCFTDL (Loose)</p> <p>ASCFTDI (Installed)</p>	

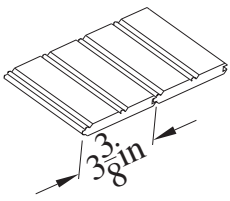
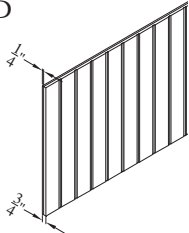
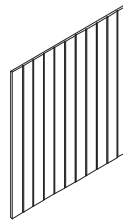
<b>ACCESSORIES</b>
--------------------

	PRODUCT CODE	LIST PRICE	
<b>PANEL CUT TO SIZE</b>			
	Width up to 48"		
<ul style="list-style-type: none"> <li>• Specify dimensions, (width) X (length). Grain will run with the length (or height) of the panel.</li> <li>• Maximum height of any panel is 96" provided the width of the panel does not exceed 48". If the width exceeds 48" the maximum height of any panel cannot exceed 48", except for panel designated by † which has a maximum height of 47" and width of 95".</li> <li>• Maximum width for 1/2" and 3/4" PCZ is 120" (If needing something beyond the sizes specified in this catalog, a custom quote must be submitted for approval.)</li> <li>• For finished edges, edgbanding must be applied. See EB accessory for pricing.</li> <li>• PCZ14 not available in Quarter Sawn White Oak, Red Birch, Red Grandis, Walnut, or Rustic Alder when width exceeds 48"</li> <li>• All panels are finished on one face side only unless the two sided panel option is selected. "2S" in the panel nomenclature determines two-sided finish. NOTE: 1/4" panels <u>cannot</u> be finished on two sides.</li> </ul>	PCZ14	\$ /sq ft	
	PCZ12	\$ /sq ft	
	PCZ2S12	\$ /sq ft	
	PCZ34	\$ /sq ft	
	PCZ2S34	\$ /sq ft	
	Width @ 48" to 95"		
	PCZ14	\$ /sq ft	
	PCZ12 †	\$ /sq ft	
	PCZ2S12 †*	\$ /sq ft	
	PCZ34 †	\$ /sq ft	
PCZ2S34 †**	\$ /sq ft		
	† Designates panel with maximum allowable height of 47" and maximum allowable width of 95". *PCZ2S12 (48"-95" wide) actual thickness is approximately 3/8" ** PCZ2S34 (48"-95" wide) actual thickness is approximately 5/8"		
Width over 95" to 120"			
PCZ14	N/A		
PCZ12	\$ /sq ft		
PCZ2S12	\$ /sq ft		
PCZ34	\$ /sq ft		
PCZ2S34	\$ /sq ft		
<b>EDGE BANDING</b>			
	EB	\$ / ln ft	
<ul style="list-style-type: none"> <li>• Per linear foot</li> <li>• Not available in Rustic Alder or Rustic Hickory: standard grade wood will be substituted.</li> </ul>			
<b>FALSE DOOR(S) ON PANEL</b>			
	MFDP	\$ / sq ft	
<ul style="list-style-type: none"> <li>• Modification to add false door(s) attached to PCZ at the factory.</li> <li>• Priced per square foot</li> <li>• Standard maximum door width = 24" wide. Equal sized, multiple doors will be applied when over 24" wide.</li> <li>• Not recommended for use with Inset. Please use wainscoting instead of false doors applied to panels for the most consistent look.</li> </ul>			

ACCESSORIES

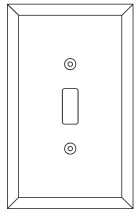
	PRODUCT CODE	LIST PRICE
<p><b>WOOD TOP (PLYWOOD)</b></p> <ul style="list-style-type: none"> <li>• 3/4" plywood top with a 3/4" wide X 1 1/2" high, solid wood edge.</li> <li>• Specify edge (s) to be finished and profile.</li> <li>• Available profiles include C2, PRS2, L149, V2, L059, MACHINE, LC2, E2, 297, and Ogee. See the door edge profile pages in the Introduction for representations of the shapes.</li> <li>• Top is figured per square foot: includes all finished edges specified and profile routed on top edge(s) specified. Routing for bottom edge is additional.</li> <li>• Bottom, underside of wood top is not finished as standard. A quote must be requested in advance if finished bottom is required.</li> <li>• Maximum size for 1 piece = 120". Due to material availability, some species may have smaller maximum sizes available. Any top ordered larger than maximum size available will be shipped in multiple pieces with hardware to combine in the field.</li> </ul>	WTOP (PLYWOOD)	\$ /sq ft
		
<p><b>WOOD TOP (SOLID)</b></p> <ul style="list-style-type: none"> <li>• 3/4" solid wood top with a 3/4" wide X 1 1/2" high, solid wood edge.</li> <li>• Not Available in Red Grandis</li> <li>• Specify edge (s) to be finished and profile.</li> <li>• Available profiles include C2, PRS2, L149, V2, L059, MACHINE, LC2, E2, 297, and Ogee. See the door edge profile pages in the Introduction for representations of the shapes.</li> <li>• Top is figured per square foot: includes all finished edges specified and profile routed on top edge(s) specified. Routing for bottom edge is additional.</li> <li>• Bottom, underside of wood top is not finished as standard. A quote must be requested in advance if finished bottom is required.</li> <li>• Maximum size for 1 piece = 120". Due to material availability, some species may have smaller maximum sizes available. Any top ordered larger than maximum size available will be shipped in multiple pieces with hardware to combine in the field.</li> </ul>	WTOP (SOLID)	\$ /sq ft
		
<p><b>BUTCHER BLOCK TOPS</b></p> <ul style="list-style-type: none"> <li>• At your specified dimensions.</li> <li>• Made from Hard Rock Maple. Also available in Red Oak. Call for availability of other species.</li> </ul>	ABBCT	QUOTE
<p><b>CUTTING BOARD LOOSE</b></p> <ul style="list-style-type: none"> <li>• Cutting boards are 1 1/2" thick, 25" wide and 18" deep.</li> <li>• Other dimensions are available, please send for a quote.</li> <li>• These are not installed in cabinets.</li> <li>• A bottle of Mystery Oil for retreating the cutting board will be included.</li> </ul>	ACB-LOOSE	
<p><b>BOTTLE OF MYSTERY OIL</b>    15oz. bottle</p> <p>For periodic re-oiling of cutting boards to preserve the beauty and durability of the natural wood surface.</p>	ABMYOIL	
<p><b>OVAL GROMMET</b></p> <ul style="list-style-type: none"> <li>• Installed in wood top.</li> <li>• Grommet measures 6 1/2" X 3"</li> <li>• Specify exact location (Include sketch)</li> <li>• Available in Black or White.</li> </ul>		AGRMT

ACCESSORIES

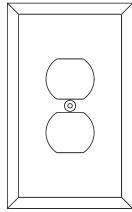
	PRODUCT CODE	LIST PRICE
<b>WAINSCOT PANEL (LOOSE)</b>	ALBWP (base)	\$ /sq ft*
	ALWWP (wall)	\$ /sq ft*
<ul style="list-style-type: none"> <li>• Not available for mitered door styles.</li> <li>• Selection made for base or wall specific configuration.</li> <li>• List = \$ per square foot with one square ft minimum charge.</li> <li>• *Add \$ to square foot price for additional center panel. (Example: A 7 square foot wainscot panel divided to have 3 center panels total would be \$ (7 sq. ft) plus \$ -additional center panel charges) = \$ list.</li> <li>• Level 2+ would be added per each center panel. (Example: Saxony door style at Level 2+ \$ would have \$ added per each center panel)</li> </ul>	(2	*+\$ / each <u>additional</u> center panel
<b>1/2" BEAD BOARD LOOSE</b>	ABDBD L	
<ul style="list-style-type: none"> <li>• Standard bead board does not match our grooved doors.</li> <li>• Other beaded board designs to match grooved doors are available upon request.</li> <li>• 3 1/8" face is visible after installation</li> <li>• 8' lengths cut to size and installed in field</li> </ul>		
<b>BEADBOARD PANEL</b>	ABDBD	\$ /sq ft
<ul style="list-style-type: none"> <li>• Standard bead board does not match our grooved doors.</li> <li>• Other beaded board designs to match grooved doors are available upon request.</li> <li>• 1/2" beadboard attached to 1/4" backer in the factory</li> <li>• Specify dimensions W x L</li> <li>• For finished edges, edgebanding must be applied. See EB accessory for pricing.</li> </ul>		
<b>1/4" GROOVED PANEL CUT TO SIZE</b>	AGPCZ14	\$ /sq ft
<ul style="list-style-type: none"> <li>• Specify dimensions (width X length). Cannot exceed 48" in width or 96" in length as one panel. Multiple panels will need to be used in the field if a larger area is to be covered.</li> <li>• Loose 1/4" veneered panel with MDF core with 1/8" wide, vertical 'V' grooves, spaced 1 1/2" apart. Other designs to match grooved doors are available upon request.</li> <li>• Not available in Rustic Alder or Rustic Hickory: standard grade wood will be substituted.</li> <li>• <b>Not available for any wear sanded finish.</b></li> </ul>		
<b>4' X 8' GROOVED PANEL</b>	AGP48	
<ul style="list-style-type: none"> <li>• 4' X 8', 1/4" veneered panel with MDF core with 1/8" wide, vertical 'V' grooves, spaced 1 1/2" apart. Other designs to match grooved doors are available upon request.</li> <li>• Grain runs with the panel height (8')</li> <li>• Not available in Rustic Alder or Rustic Hickory: standard grade wood will be substituted.</li> <li>• <b>Not available for any wear sanded finish.</b></li> </ul>		

ACCESSORIES

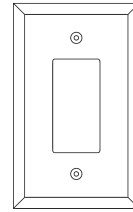
	PRODUCT CODE	LIST PRICE
<b>WALL PLATES</b>	ASWITCHPLATE1 ASWITCHPLATE2	
<ul style="list-style-type: none"> <li>• Wood plates for light switches, standard outlets, and GFI outlets provided in specie / finish to match the order.</li> <li>• Standard offerings for single and duplex gang plates.</li> <li>• Shipped with metal backing.</li> <li>• Standard cove edge shape, see picture below. Other edge shapes may be available, contact Customer Service for details.</li> <li>• Custom plates by quote available in 1 to 8-gang configurations.</li> </ul>	AOUTLET1 AOUTLET2	
	AGFIPLATE1 AGFIPLATE2	



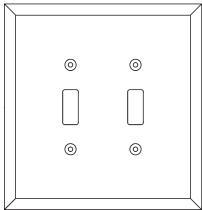
ASWITCHPLATE1



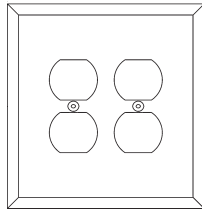
AOUTLET1



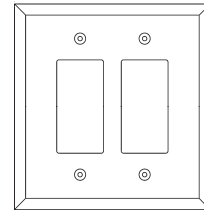
AGFIPLATE1 (also for toggle switch)



ASWITCHPLATE2



AOUTLET2



AGFIPLATE2 (also for toggle switch)



Cove edge



<b>ACCESSORIES</b>
--------------------

	PRODUCT CODE	LIST PRICE
<b>UNFINISHED EXTERIOR</b>	UNFIN	- %
<b>PRIMED EXTERIOR</b>	PRIMED	- %
<ul style="list-style-type: none"> <li>• Interiors are UV Birch veneer.</li> <li>• Surfaces to be finished will be primed for paint unless otherwise specified as Unfinished.</li> <li>• Modifications for Finished ends, Flush finished ends, and Matching Wood interior must still be applied.</li> <li>• Immediately before painting, all surfaces must be sanded in the field to insure adhesion.</li> </ul>		
<b>TOUCH UP KIT</b>	ATUK	
<ul style="list-style-type: none"> <li>• Contains one putty stick, one felt tip marker, and one ounce of clear top coat. Glaze may also be included when applicable.</li> </ul>		
<b>QUART OF PAINT</b>	QTPAINT	
<b>QUART OF STAIN</b>	QTSTAIN	
<ul style="list-style-type: none"> <li>• Finishing materials to match the order. The materials provided are the same as those used in the factory setting and require the use of HVLP spray gun technology for application.</li> <li>• Clear top coat is not supplied with finish materials unless the finish color ordered is Natural. Must be ordered as a separate quart and specified as clear top coat.</li> <li>• Not available for amounts less than one quart.</li> <li>• Some components may only be able to ship through common carrier such as UPS. Hazardous Material charges apply when shipped via common carrier. For finishes requiring multiple components, each component must be packaged separately and incur Haz-Mat shipping fees when applicable.</li> </ul> <p><b>NOTE:</b> Multiple materials may be used to achieve the end finish color and may require a variety of application techniques. Please reference the pages for Finish Process Information and Field Application of Finishes located in the Introduction of the product catalog. The materials provided are the same as those used in the factory setting and require the use of HVLP spray gun technology for application.</p>		
	PRODUCT CODE	Level 1    Level 2
<b>REFRIGERATOR PANELS</b>	ARDP36	
<ul style="list-style-type: none"> <li>• 3/4" door attached to 1/4" panel matching specie and finish of order.</li> </ul>	ARDP42	
<ul style="list-style-type: none"> <li>• Panels are priced by corresponding appliance width.</li> </ul>	ARDP48	
<ul style="list-style-type: none"> <li>• Provide sketch with overall panel dimensions and door reveals on all sides of each panel. Indicate dimensions of all notching, handle setback reveals, breaks in double panel etc.</li> <li>• Some configurations may not be available with mitered door styles.</li> <li>• If side edges or areas on the back will be visible and need edge banding or finished you must specify on the order. Not finished is our standard.</li> </ul>		
<b>SUB-ZERO REFRIGERATOR PANELS</b>	SUBZERO36	
<ul style="list-style-type: none"> <li>• 3/4" door attached to 3/8" luaun panel.</li> </ul>	SUBZERO42	
<ul style="list-style-type: none"> <li>• Panels are priced by corresponding appliance width.</li> </ul>	SUBZERO48	
<ul style="list-style-type: none"> <li>• Provide sketch with overall panel dimensions and door reveals on all sides of each panel. Indicate dimensions of all notching, handle setback reveals, breaks in double panel etc.</li> <li>• Some configurations may not be available with mitered door styles.</li> <li>• If side edges or areas on the back will be visible and need edge banding or finished you must specify on the order. Not finished is our standard.</li> </ul>		
<b>CUSTOM DISHWASHER PANELS</b>	ACDP	
<ul style="list-style-type: none"> <li>• 3/4" door attached to 1/4" panel matching specie and finish of order.</li> <li>• Provide sketch including overall panel width and height and door reveals on all sides.</li> </ul>		



SALES AIDS
------------

	PRODUCT CODE	LIST PRICE
<b>BROCHURES</b> Pocketed brochure with door/accessory insert	BROCH	\$ per 100
<b>STANDARD DOOR SAMPLES</b> Working door and false drawer head, attached to 15" x 30" frame. Non-working door when ordered as Inset with concealed hinges unless specified otherwise. Price for non-standard door samples may require additional charges. Overlay, specie and finish upcharges apply. 5 piece drawer front and Level 2+ door charges apply.	DRSMP	LEVEL 1    LEVEL 2
<b>STAIN BLOCKS SET</b> Complete set of solid wood blocks (approx. size=4 1/2" x 9 3/4") in all standard finish colors.	STBLST	
<b>STAIN BLOCK SINGLES</b> Solid wood block (4 1/2" x 9 3/4") must specify color needed. Specie and finish upcharges apply.	STBLEA	
<b>DOOR DISPLAY BOARD</b> (48" x 48") 1/2" panel with 6" x 6" corner sections of standard door styles (unfinished) mounted on it.	DRDSPBD	
<b>MOULDING CHAIN</b> 6" Sample of all Brighton miscellaneous trim items. (Not listed below on a chain.)	MLDGCHN-1	
6" Sample of all Brighton crown moldings and crown inserts on a chain.	MLDGCHN-2	
6" Sample of all Brighton base moldings, all case moldings and all light rail moldings on a chain.	MLDGCHN-3	
<b>DISPLAY UNIT</b> Free standing unit Unit includes base section with accessories added, exact configuration determined by Brighton Cabinetry. Top section includes door samples determined by Brighton Cabinetry.	DSPUT	
<b>SHEEN SAMPLE DISPLAYS</b>	SHNSMP	
<b>HINGE DISPLAY BOARD</b> 3/4" x 14" x 16 1/2" board displaying the standard hinge options	HGDSPBD	
<b>GLASS SAMPLE SET</b> One set of standard glass pattern samples	SAMPLEGLASS	
<b>CROWN DISPLAY BOARD</b> Wall mount display of crown moldings on backer board Approximately 14" wide x 48" high.	CRWNDSPPBD	
<b>BRIGHTON LOGO SIGN</b> Acrylic signage with Brighton Cabinetry logo. Available in two standard sizes, approximately 18" wide x 9" high or 36" wide x 18" high. Contact Customer Service for custom size or configuration.	BRSIGN18  BRSIGN36	



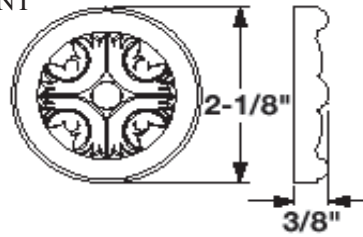
ACCESSORIES

PRODUCT LIST  
CODE PRICE

**NOTE:** The items shown on this page are hand carved and hand sanded. Differences may occur between multiples of the same item even when ordered at the same time due to the hand processes involved. The sizes shown are close approximations only, final dimensions may vary slightly. Some variation in the finish appearance may also occur. These variations should be expected and will not be considered defective.

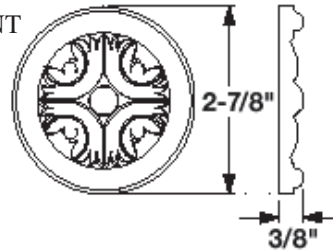
SMALL ROUND MAPLE ACANTHUS ORNAMENT  
SMALL ROUND CHERRY ACANTHUS ORNAMENT

AMSR AO  
ACSR AO



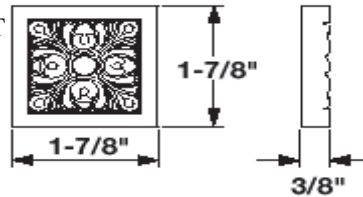
LARGE ROUND MAPLE ACANTHUS ORNAMENT  
LARGE ROUND CHERRY ACANTHUS ORNAMENT

AMLRAO  
ACLRAO



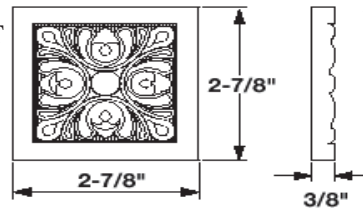
SMALL MAPLE SQUARE ACANTHUS ORNAMENT  
SMALL CHERRY SQUARE ACANTHUS ORNAMENT

AMSSAO  
ACSSAO



LARGE MAPLE SQUARE ACANTHUS ORNAMENT  
LARGE CHERRY SQUARE ACANTHUS ORNAMENT

AMLSAO  
ACLSAO



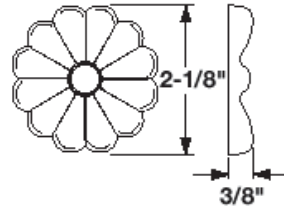
ACCESSORIES

PRODUCT LIST  
CODE PRICE

**NOTE:** The items shown on this page are hand carved and hand sanded. Differences may occur between multiples of the same item even when ordered at the same time due to the hand processes involved. The sizes shown are close approximations only final dimensions may vary slightly. Some variation in the finish appearance may also occur. These variations should be expected and will not be considered defective.

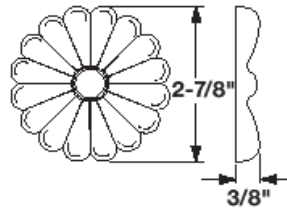
SMALL MAPLE FLOWER ORNAMENT

AVAILABLE IN MAPLE ONLY



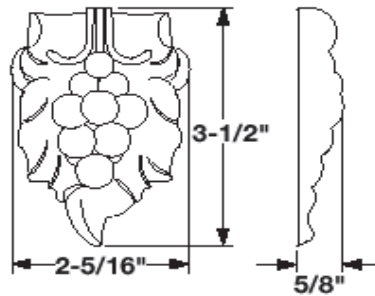
AMSFO

LARGE MAPLE FLOWER ORNAMENT  
LARGE CHERRY FLOWER ORNAMENT



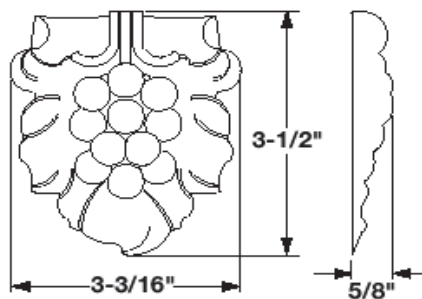
AMLFO  
ACLFO

SMALL MAPLE GRAPE ORNAMENT  
SMALL CHERRY GRAPE ORNAMENT



AMSGO  
ACSGO

LARGE MAPLE GRAPE ORNAMENT  
LARGE CHERRY GRAPE ORNAMENT



AMLGO  
ACLGO

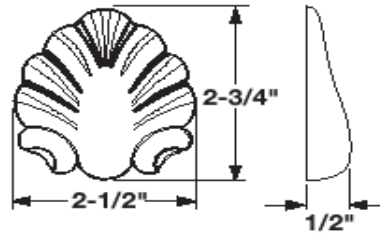
ACCESSORIES

PRODUCT LIST  
CODE PRICE

**NOTE:** The items shown on this page are hand carved and hand sanded. Differences may occur between multiples of the same item even when ordered at the same time due to the hand processes involved. The sizes shown are close approximations only, final dimensions may vary slightly. Some variation in the finish appearance may also occur. These variations should be expected and will not be considered defective.

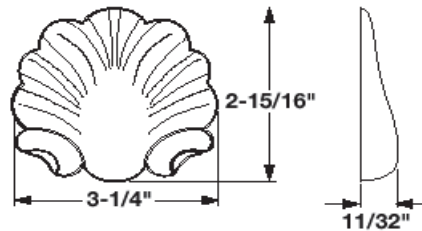
SMALL MAPLE SHELL ORNAMENT  
SMALL CHERRY SHELL ORNAMENT

AMSSO  
ACSSO



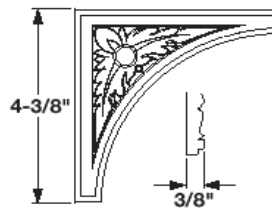
LARGE MAPLE SHELL ORNAMENT  
LARGE CHERRY SHELL ORNAMENT

AMLSO  
ACLSO



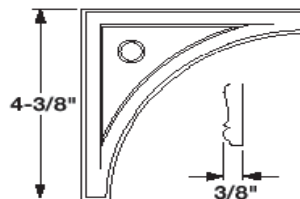
MAPLE CORNER ACANTHUS ORNAMENT  
AVAILABLE IN MAPLE ONLY

AMACO



MAPLE BULLSEYE CORNER ORNAMENT  
AVAILABLE IN MAPLE ONLY

AMBCO

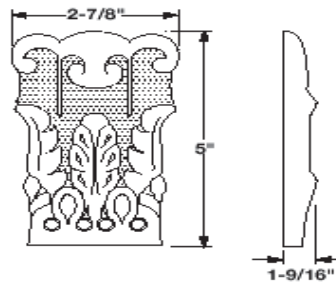


ACCESSORIES

PRODUCT  
CODE      LIST  
                 PRICE

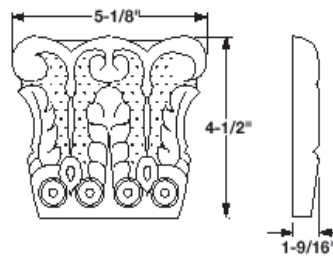
**NOTE:** The items shown on this page are hand carved and hand sanded. Differences may occur between multiples of the same item even when ordered at the same time due to the hand processes involved. The sizes shown are close approximations only, final dimensions may vary slightly. Some variation in the finish appearance may also occur. These variations should be expected and will not be considered defective.

SMALL MAPLE ACANTHUS CARVING  
SMALL CHERRY ACANTHUS CARVING



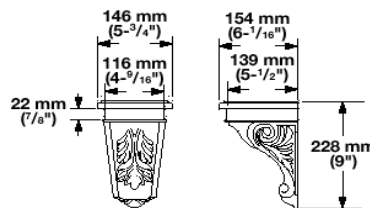
AMSCA  
ACSCA

LARGE MAPLE ACANTHUS CARVING  
LARGE CHERRY ACANTHUS CARVING



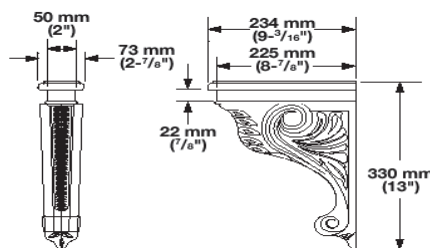
AMLCA  
ACLCA

SMALL MAPLE ACANTHUS CORBEL  
SMALL CHERRY ACANTHUS CORBEL



AMSAC  
ACSAC

LARGE MAPLE ACANTHUS CORBEL  
LARGE CHERRY ACANTHUS CORBEL



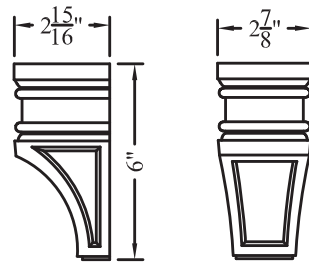
AMLAC  
ACLAC

ACCESSORIES

PRODUCT  
CODE      LIST  
PRICE

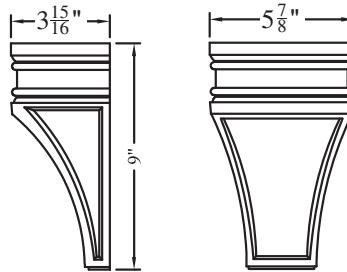
**NOTE:** The items shown on this page are hand carved and hand sanded. Differences may occur between multiples of the same item even when ordered at the same time due to the hand processes involved. The sizes shown are close approximations only, final dimensions may vary slightly. Some variation in the finish appearance may also occur. These variations should be expected and will not be considered defective.

SMALL MAPLE ARTS & CRAFTS CORBEL  
SMALL CHERRY ARTS & CRAFTS CORBEL



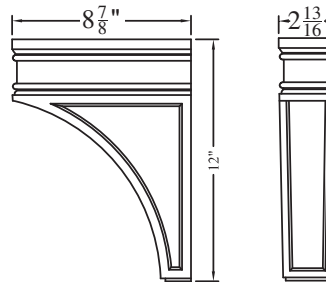
ASMACC  
ASCACC

MEDIUM MAPLE ARTS & CRAFTS CORBEL  
MEDIUM CHERRY ARTS & CRAFTS CORBEL



AMMACC  
AMCACC

LARGE MAPLE ARTS & CRAFTS CORBEL  
LARGE CHERRY ARTS & CRAFTS CORBEL



ALMACC  
ALCACC



## NOTES

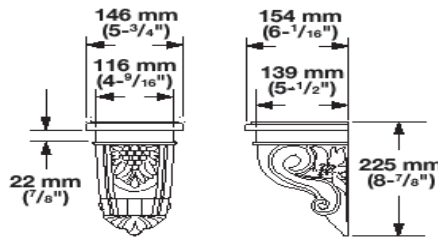
ACCESSORIES

PRODUCT LIST  
CODE PRICE

**NOTE:** The items shown on this page are hand carved and hand sanded. Differences may occur between multiples of the same item even when ordered at the same time due to the hand processes involved. The sizes shown are close approximations only, final dimensions may vary slightly. Some variation in the finish appearance may also occur. These variations should be expected and will not be considered defective.

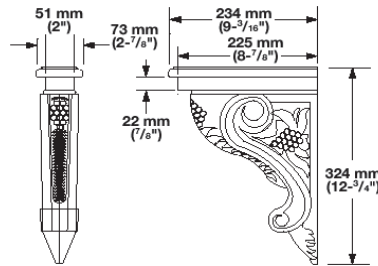
SMALL MAPLE GRAPE CORBEL  
SMALL CHERRY GRAPE CORBEL

AMSGC  
ACSGC



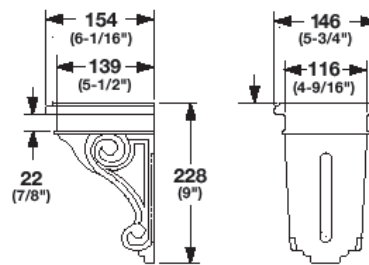
LARGE MAPLE GRAPE CORBEL  
LARGE CHERRY GRAPE CORBEL

AMLGC  
ACLCG



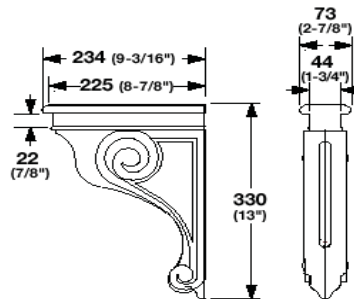
SMALL MAPLE SCROLL CORBEL  
SMALL CHERRY SCROLL CORBEL

AMSSC  
ACSSC



LARGE MAPLE SCROLL CORBEL  
LARGE CHERRY SCROLL CORBEL

AMLSC  
ACLSC



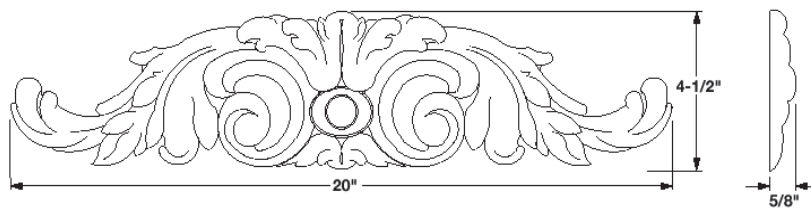
ACCESSORIES

PRODUCT LIST  
CODE PRICE

**NOTE:** The items shown on this page are hand carved and hand sanded. Differences may occur between multiples of the same item even when ordered at the same time due to the hand processes involved. The sizes shown are close approximations only, final dimensions may vary slightly. Some variation in the finish appearance may also occur. These variations should be expected and will not be considered defective.

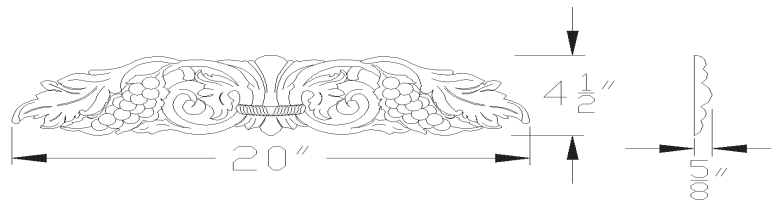
MAPLE ACANTHUS APPLIQUÉ  
CHERRY ACANTHUS APPLIQUÉ

AMAA  
ACAA



MAPLE GRAPE APPLIQUÉ  
CHERRY GRAPE APPLIQUÉ

AMGA  
ACGA



MAPLE SHELL APPLIQUÉ  
CHERRY SHELL APPLIQUÉ

AMSA  
ACSA

