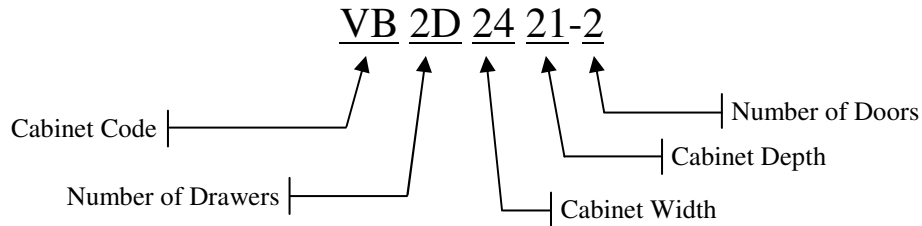


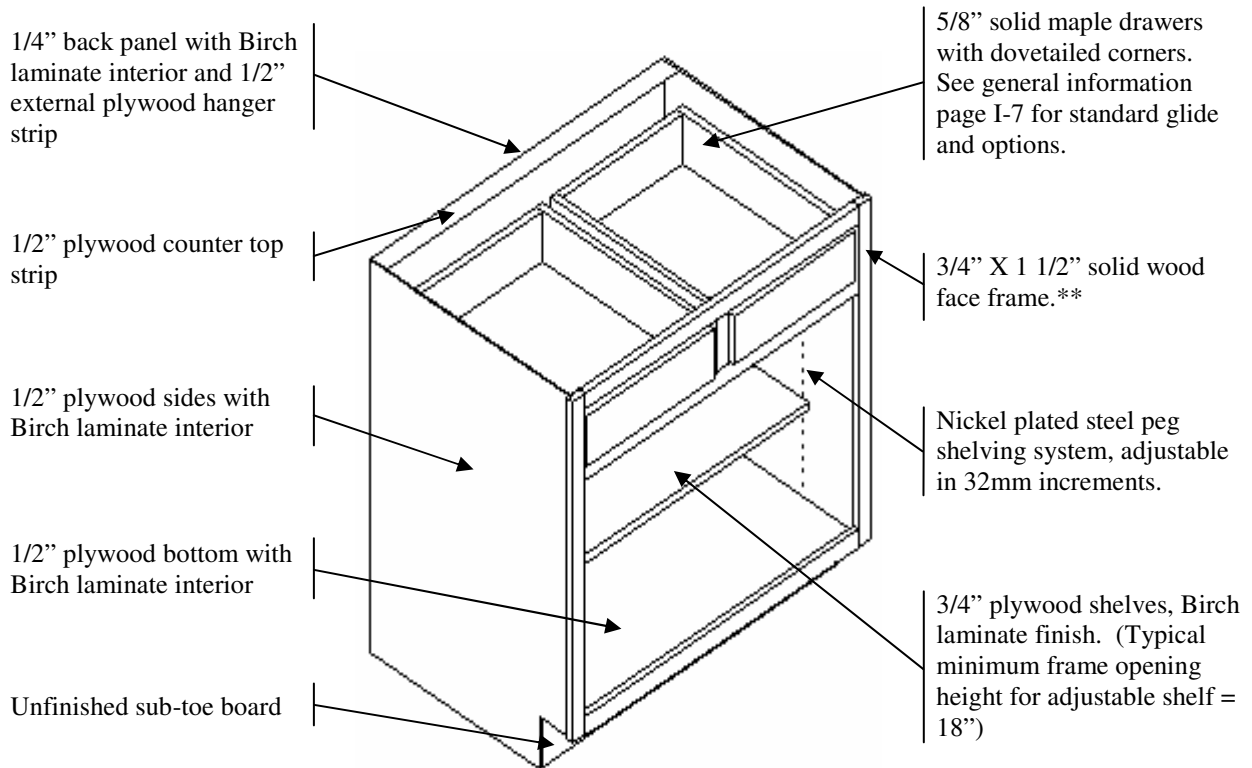
SPECIFICATIONS

VANITY CABINETS 31" HIGH BASE HEIGHT (BH) VANITY CABINETS 34 1/2" HIGH (See "Cabinet Construction Specifications" and "Pricing Procedures" for options.)

Vanity Cabinet Nomenclature



STANDARD CABINET DEPTHS: 18" AND 21"
 STANDARD TOE KICK HEIGHT: 4 1/2"; DEPTH: 3 1/2"



*Cabinets less than 9" wide will have reduced face frame stile widths.



VANITY CONTENTS

BASES WITH DOOR/DRAWERS

FULL WIDTH TOP DRAWER..... 4
 SIDE BY SIDE TOP DRAWERS..... 4

DRAWER BASES

2-DRAWER BASE..... 6
 3-DRAWER BASE..... 6
 4-DRAWER BASE..... 7

FILLERS

BASE CORNER..... 25
 BASE FILLER..... 25
 BASE FILLER WITH RETURN..... 25
 OVERLAY FILLER STRIP..... 25

FULL HEIGHT DOOR BASE..... 5

FURNITURE PLATFORMS 24-A

HAMPER BASE..... 7

IRONING BOARD CABINET..... 8-B

INVERTED BASE CABINETS 8

LIGHT BARS, CONTEMPORARY..... 24

MEDICINE CABINETS

SINGLE..... 23
 BI-VIEW..... 24
 RECESSED CENTER MIRROR 23
 TRI-VIEW..... 24

OFFSET COMBINATION DRAWER (BH)..... 18

PLANNING DESK..... 9

PLANNING DESK MINI..... 9

PLANNING DESK LEG, VANITY..... 9

RADIUS DRAWER FRONT SINK BASE..... 8-B

RADIUS SINK BASE 8-A

SINK BASE WITH DRAWERS

2 -TOP DRWS WITH FALSE DRW BETWEEN 10
 VANITY SINK COMBO BASE..... 10

SINK BASE/DRAWER BASE COMBINATIONS

ONE 4 DRAWER BASE/TWO SINK BASE..... 11
 TWO 3 DRAWER BASES/ONE SINK BASE.... 11
 ONE 3 DRAWER BASE/TWO SINK BASES.... 11

SINK BASES-FALSE DRAWER HEAD

FULL WIDTH DRAWER HEAD..... 3
 SIDE BY SIDE..... 3

TALL CABINETS

84", 90", & 96" TALL..... 12

VANITY WALLETTTE..... 5

BH (34 1/2") BASES WITH DOOR/ DRAWERS

FULL WIDTH TOP DRAWER..... 14
 SIDE BY SIDE TOP DRAWERS..... 14

BH (34 1/2") DRAWER BASES

2-DRAWER BASE..... 15
 3-DRAWER BASE..... 16
 4-DRAWER BASE..... 16

BH (34 1/2") FULL HEIGHT DOOR BASE..... 15

BH (34 1/2") HAMPER BASE..... 16

BH (34 1/2") IRONING BOARD CABINET..... 18

BH (34 1/2") INVERTED BASE CABINETS..... 17

BH (34 1/2") RADIUS DRAWER FRONT SINK BASE 18-B

BH (34 1/2") RADIUS SINK BASE..... 18-A

BH (34 1/2") SINK BASE DOOR/DRAWERS

2 -TOP DRWS WITH FALSE DRW BETWEEN..... 19
 VANITY SINK COMBO BASE..... 19

BH (34 1/2") SINK BASE DRAWER BASE COMBINATIONS

ONE 4 DRAWER BASE/TWO SINK BASE..... 20
 TWO 3 DRAWER BASES/ONE SINK BASE..... 20
 ONE 3 DRAWER BASE/TWO SINK BASES..... 20

BH (34 1/2") SINK BASES-FALSE DRAWER HEAD

FULL WIDTH DRAWER HEAD..... 13
 SIDE BY SIDE..... 13

TALL CABINETS TO MATCH BH VANITIES

84", 90", & 96" TALL..... 21

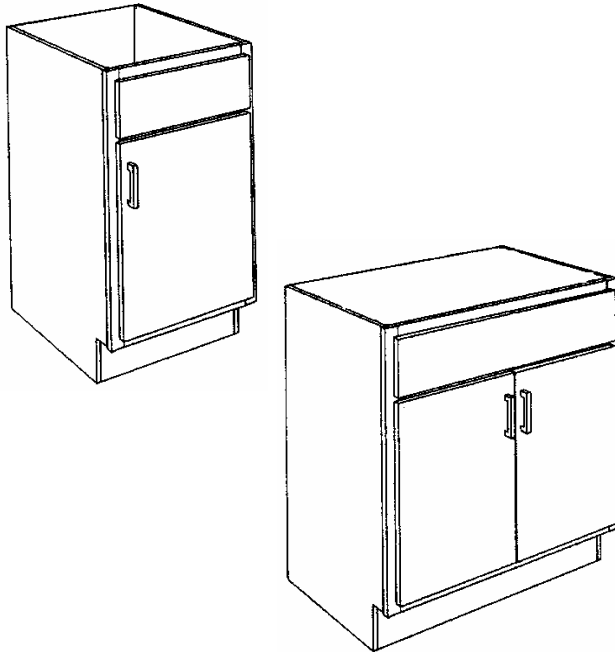
TAPER LEG VANITY CABINET..... 22

TOE KICK DRAWER ACCESSORY..... 24-B

**MODIFICATIONS, ACCESSORIES, AND BH (34 1/2")
 FILLERS: SEE BASE AND / OR TALL SECTIONS**

*****BH=BASE HEIGHT*****

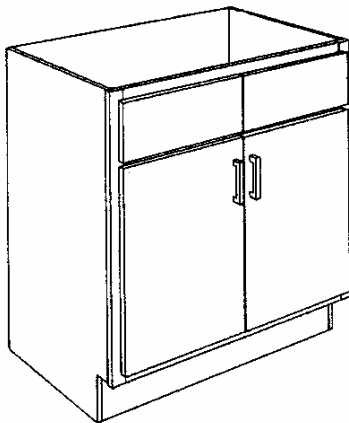
VANITY SINK BASES DOOR/FALSE DRAWER 31" HIGH



VANITY SINK BASE CABINET
FULL WIDTH FALSE DRAWER.

	PRODUCT CODE	A-LINE	B-LINE
18" DEEP	VSB1818		
	VSB2118		
	VSB2418-1		
	VSB2418-2		
	VSB2718		
	VSB3018		
	VSB3318		
	VSB3618		
21" DEEP	VSB1821		
	VSB2121		
	VSB2421-1		
	VSB2421-2		
	VSB2721		
	VSB3021		
	VSB3321		
	VSB3621		

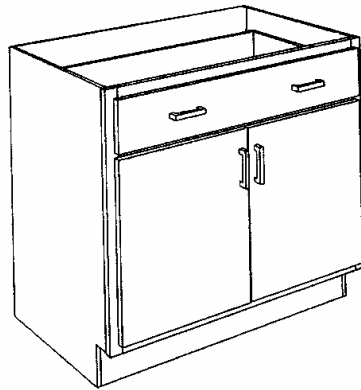
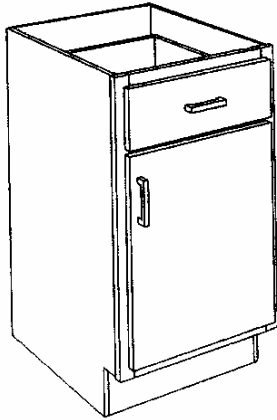
VANITY SINK BASES DOOR/ 2 FALSE DRAWERS 31" HIGH



VANITY SINK BASE 2 FALSE DRAWER SIDE BY SIDE.

18" DEEP	VSB2D3018		
	VSB2D3318		
	VSB2D3618		
	VSB2D3918		
	VSB2D4218		
	VSB2D4518		
	VSB2D4818		
21" DEEP	VSB2D3021		
	VSB2D3321		
	VSB2D3621		
	VSB2D3921		
	VSB2D4221		
	VSB2D4521		
	VSB2D4821		

VANITY BASES DOOR/DRAWERS 31" HIGH



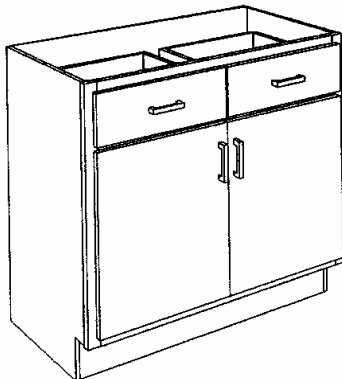
VANITY BASE CABINET FULL WIDTH DRAWER.

- Top functioning drawer.

18" DEEP
1-Full depth
adjustable
shelf

21" DEEP
1-3/4 depth
adjustable
shelf

PRODUCT CODE	A-LINE	B-LINE
VB1D1218		
VB1D1518		
VB1D1818		
VB1D2118		
VB1D2418-1		
VB1D2418-2		
VB1D2718		
VB1D3018		
VB1D3318		
VB1D3618		
VB1D1221		
VB1D1521		
VB1D1821		
VB1D2121		
VB1D2421-1		
VB1D2421-2		
VB1D2721		
VB1D3021		
VB1D3321		
VB1D3621		



VANITY BASE 2 DRAWER SIDE BY SIDE.

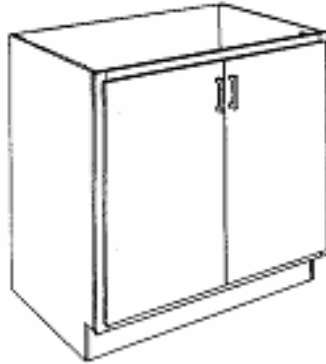
- Top functioning drawer.

18" DEEP
1-Full depth
adjustable
shelf

21" DEEP
1-3/4 depth
adjustable
shelf

VB2D3018		
VB2D3318		
VB2D3618		
VB2D4218		
VB2D4518		
VB2D4818		
VB2D3021		
VB2D3321		
VB2D3621		
VB2D4221		
VB2D4521		
VB2D4821		

VANITY BASES FULL HEIGHT DOOR 31" HIGH



VANITY BASE CABINET WITH
FULL HEIGHT DOOR (S)

18" DEEP

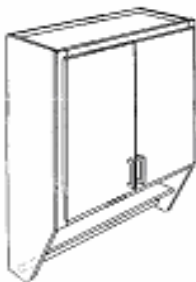
2-3/4 depth
adjustable
shelves

21" DEEP

2-3/4 depth
adjustable
shelves

PRODUCT CODE	A-LINE	B-LINE
VFD1818		
VFD2118		
VFD2418-1		
VFD2418-2		
VFD2718		
VFD3018		
VFD3318		
VFD3618		
VFD1821		
VFD2121		
VFD2421-1		
VFD2421-2		
VFD2721		
VFD3021		
VFD3321		
VFD3621		

VANITY WALLETTE



36" HIGH

1- adjustable
shelf

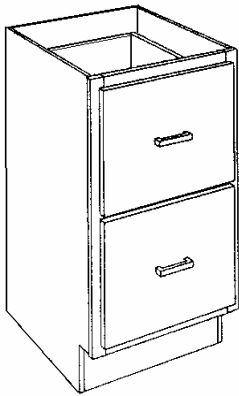
42" HIGH

2- adjustable
shelves

VWC2436		
VWC2736		
VWC2442		
VWC2742		

- 10" deep cabinet
- Open section is specie and stain matched.
- Upper section comes standard with Birch laminate interior.
- Flush finished hutch ends and bottom are standard.
- Towel bar under open shelf is solid wood.
- Open section including towel bar area is 12" high.

VANITY 2-DRAWER BASE 31" HIGH



VANITY 2 DRAWER BASE.

- 2- 10" Drawer boxes.

18" DEEP

PRODUCT CODE	A-LINE	B-LINE
--------------	--------	--------

V2DB1218		
----------	--	--

V2DB1518		
----------	--	--

V2DB1818		
----------	--	--

V2DB2118		
----------	--	--

V2DB2418		
----------	--	--

21" DEEP

V2DB1221		
----------	--	--

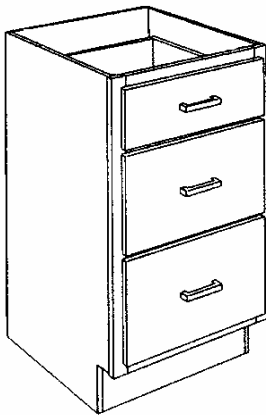
V2DB1521		
----------	--	--

V2DB1821		
----------	--	--

V2DB2121		
----------	--	--

V2DB2421		
----------	--	--

VANITY 3-DRAWER BASE 31" HIGH



VANITY 3 DRAWER BASE.

- 1-4" Drawer box
- 2-6" Drawer boxes

18" DEEP

V3DB1218		
----------	--	--

V3DB1518		
----------	--	--

V3DB1818		
----------	--	--

V3DB2118		
----------	--	--

V3DB2418		
----------	--	--

21" DEEP

V3DB1221		
----------	--	--

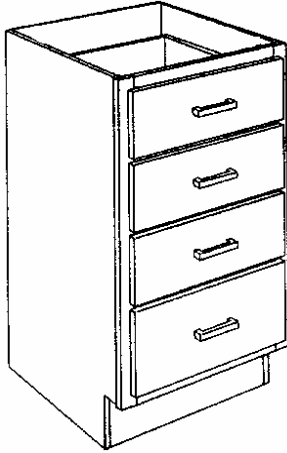
V3DB1521		
----------	--	--

V3DB1821		
----------	--	--

V3DB2121		
----------	--	--

V3DB2421		
----------	--	--

VANITY 4-DRAWER BASE 31" HIGH



18" DEEP

PRODUCT CODE	A-LINE	B-LINE
--------------	--------	--------

V4DB1218		
----------	--	--

V4DB1518		
----------	--	--

V4DB1818		
----------	--	--

V4DB2118		
----------	--	--

V4DB2418		
----------	--	--

21" DEEP

V4DB1221		
----------	--	--

V4DB1521		
----------	--	--

V4DB1821		
----------	--	--

V4DB2121		
----------	--	--

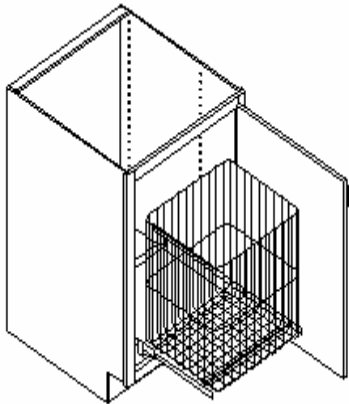
V4DB2421		
----------	--	--

VANITY 4 DRAWER BASE.

- 4- 4" H drawer boxes standard
- Not recommended for inset

Note for Inset configuration: The Inset frame configuration is different from an overlay frame; see frame configurations located in the Introduction section of the catalog. Top and bottom drawer boxes will be 4" high, two middle drawer boxes will be 3" high. The two center drawer fronts will always be slab.

VANITY HAMPER BASE 31" HIGH



21" DEEP

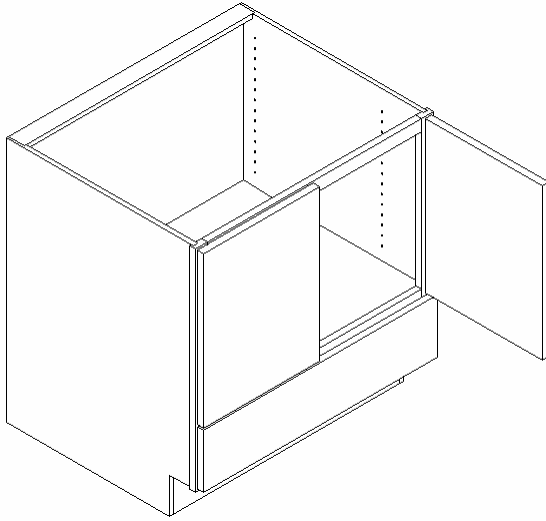
VHB1521		
---------	--	--

VHB1821		
---------	--	--

VANITY HAMPER BASE, 31" HIGH .

- White epoxy coated steel wire basket.
- Specify right (R) or left (L) hinge.

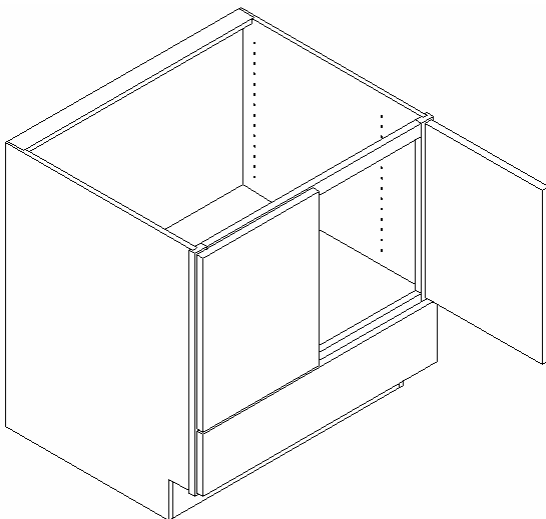
INVERTED VANITY BASE 1 DRAWER, 2 DOORS—31” HIGH, 18” DEEP



PRODUCT CODE	A-LINE	B-LINE
VBI1D2418-2		
VBI1D2718		
VBI1D3018		
VBI1D3318		
VBI1D3618		

- 4” drawer box at the bottom of the cabinet with 2 doors above
- Fixed floor between door area and drawer box

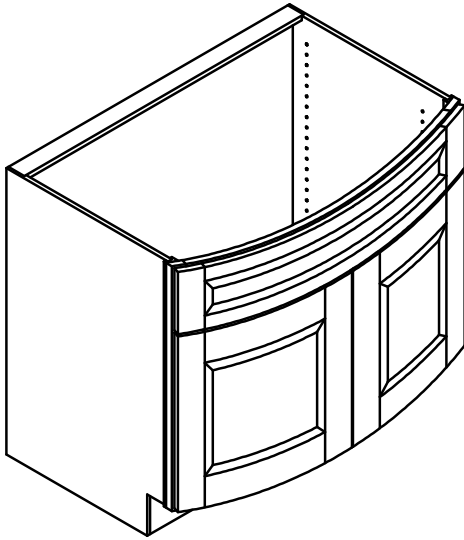
INVERTED VANITY BASE 1 DRAWER, 2 DOORS—31” HIGH, 21” DEEP



PRODUCT CODE	A-LINE	B-LINE
VBI1D2421-2		
VBI1D2721		
VBI1D3021		
VBI1D3321		
VBI1D3621		

- 4” drawer box at the bottom of the cabinet with 2 doors above
- Fixed floor between door area and drawer box

VANITY RADIUS SINK BASE, 1 FALSE DRAWER, 2 DOORS



PRODUCT CODE	A-LINE	B-LINE
VRSB3018		
VRSB3318		
VRSB3618		
VRSB3021		
VRSB3321		
VRSB3621		

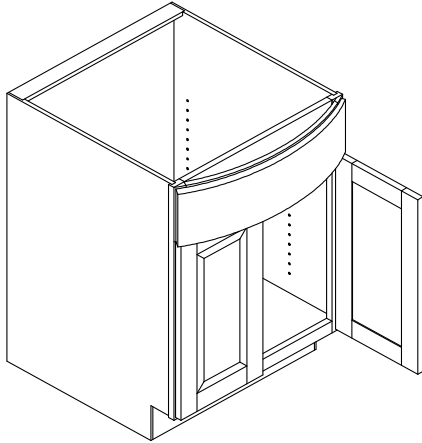
VANITY RADIUS SINK BASE, 1 False drawer and 2 Doors

- Side door reveals are adjusted to allow operation of doors and drawers on adjacent cabinets.
- Face frame has a 3" rise. (Example: 21" deep VRSB3021 has 21" deep case sides with a 24" overall depth to face of center frame)
- Standard recessed toe will be squared.
- Tilt-out fronts are not available.
- Radius cabinets may ship separately from the rest of the order. Extended lead times apply.
- The following door styles are not available: Cafe, Cottage, Crossland, Lakeland, Lincoln, Madrid, Newport, Prairie, Sardinia, Valletta, Verona, Zenith

Please send for a custom quote if any of the following apply:

- Cabinet height is modified above 42"
- Cabinet width or depth is changed
- Another cabinet configuration is wanted
- MDF door style is chosen (Summit MDF not available)
- Mullion door is desired
- See general accessories for radius molding offerings

VANITY SINK BASE W/ RADIUS DRAWER FRONT



PRODUCT CODE	A-LINE	B-LINE
--------------	--------	--------

VSBRD3018		
-----------	--	--

VSBRD3318		
-----------	--	--

VSBRD3618		
-----------	--	--

VSBRD3021		
-----------	--	--

VSBRD3321		
-----------	--	--

VSBRD3621		
-----------	--	--

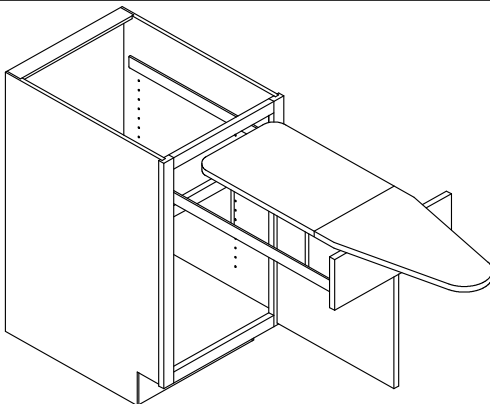
VANITY SINK BASE W/ RADIUS DRAWER FRONT

- Single Radius Drawer Front above 2 non-radius doors.
- Radius portion of face frame has a 3" rise. Example: 21" deep VSBRD3021 has 21" deep case sides with a 24" overall depth to center of radius face frame.
- Tiltout drawer fronts are not available.
- Radius cabinets may ship separately from the rest of the order. Extended lead times apply.
- The following door styles are not available: Cafe, Cottage, Crossland, Lakeland, Lincoln, Madrid, Newport, Prairie, Sardinia, Valletta, Verona, Zenith

Please send for a custom quote if any of the following apply:

- Cabinet height is modified above 42"
- Cabinet width or depth is changed
- Another cabinet configuration is wanted
- MDF door style is chosen (Summit MDF not available)
- See general accessories for radius molding offerings.

VANITY IRONING BOARD CABINET



18" DEEP

21" DEEP

PRODUCT CODE	A-LINE	B-LINE
--------------	--------	--------

VIRON1818		
-----------	--	--

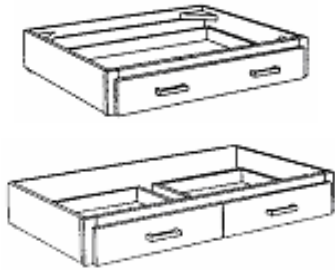
VIRON2118		
-----------	--	--

VIRON1821		
-----------	--	--

VIRON2121		
-----------	--	--

- Folding ironing board replaces top drawer box.
- Slab drawer front only available.
- Easy to use: open until gravity lock engages and unfold board.
- 18" and 21" deep cabinet = ironing surface will be approximately 12" W x 29 1/4" L.
- Minimum cabinet width = 18" (15" frame opening)
- 1-adjustable 4" rollout shelf in lower opening, standard. (Not illustrated)
- Includes a heat reflecting cover for the ironing board. (Replacement cover available)
- Specify hinge side for door.

PLANNING DESK



ONE DRAWER

PRODUCT CODE	A-LINE	B-LINE
--------------	--------	--------

PD1D2421		
----------	--	--

PD1D2721		
----------	--	--

PD1D3021		
----------	--	--

PD1D3321		
----------	--	--

PD1D3621		
----------	--	--

TWO DRAWER

PD2D23321		
-----------	--	--

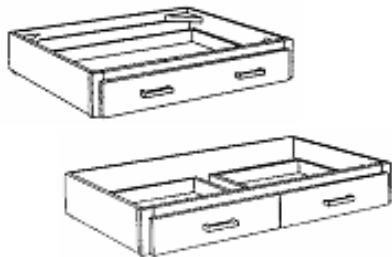
PD2D3621		
----------	--	--

- Standard height is 5 1/2" overall (4" opening with a 1 1/2" top rail. No bottom rail.)
- Specify height if aligning with other cabinets. (Add increase height modification from base section)
- To accommodate most 5 piece drawer fronts a minimum height of 6" is required for full overlay drawer front. a minimum of 7" is required for semi overlay drawer fronts. With some exceptions (See specific door styles).

Note: To align with standard base cabinet, drawer cabinet must be 7" high.

To align with standard mini base cabinet, drawer cabinet must be 6" high.

PLANNING DESK MINI



ONE DRAWER

PDM1D2421		
-----------	--	--

PDM1D2721		
-----------	--	--

PDM1D3021		
-----------	--	--

PDM1D3321		
-----------	--	--

PDM1D3621		
-----------	--	--

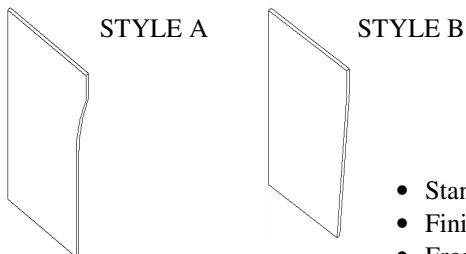
TWO DRAWER

PDM2D3321		
-----------	--	--

PDM2D3621		
-----------	--	--

- Standard height is 4 5/8" overall (A 1 1/4" top rail. No bottom rail.)
- Specify height if aligning with other cabinets. (Add increase height modification from base section)
- 2" High drawer box.
- Cannot be reduced in height.
- Slab drawer fronts are the only drawer fronts available.

VANITY PLANNING DESK LEGS



VPDLA21

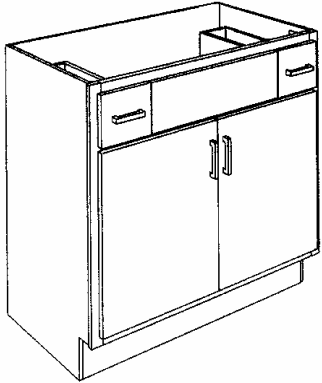
VPDLA24

VPDLB21

VPDLB24

- Standard is 31" high, 21" or 24" deep.
- Finished on both sides and face edge.
- Front flat will equal height of Planning Desk.

VANITY SINK BASES DOOR/ DRAWERS 31" HIGH



18" DEEP

PRODUCT CODE	A-LINE	B-LINE
--------------	--------	--------

VSB3D3618		
-----------	--	--

VSB3D3918		
-----------	--	--

VSB3D4218		
-----------	--	--

VSB3D4518		
-----------	--	--

VSB3D4818		
-----------	--	--

21" DEEP

VSB3D3621		
-----------	--	--

VSB3D3921		
-----------	--	--

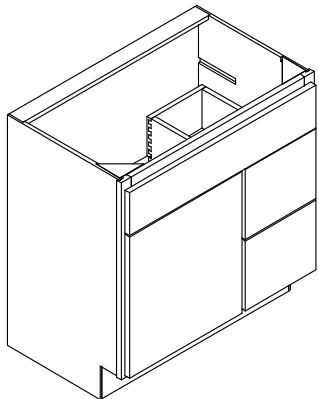
VSB3D4221		
-----------	--	--

VSB3D4521		
-----------	--	--

VSB3D4821		
-----------	--	--

VANITY SINK BASE 2 DRAWER AND FALSE CENTER DRAWER.

- Working drawers to the left and right of an 18" standard center opening.
- **NOTE:** If the frame openings for the drawer boxes are modified to be smaller than the standard opening on a VSB3D36__, then solo glides must be substituted.



18" DEEP

VBCD2418		
----------	--	--

VBCD2718		
----------	--	--

VBCD3018		
----------	--	--

VBCD3318		
----------	--	--

VBCD3618		
----------	--	--

VBCD3918		
----------	--	--

VBCD4218		
----------	--	--

VANITY BASE COMBINATION DRAWER

- Designate left (L) or right (R) for drawer side. Right shown.
- Hinged to outside unless specified.

21" DEEP

VBCD2421		
----------	--	--

VBCD2721		
----------	--	--

VBCD3021		
----------	--	--

VBCD3321		
----------	--	--

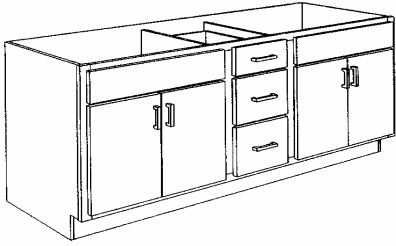
VBCD3621		
----------	--	--

VBCD3921		
----------	--	--

VBCD4221		
----------	--	--

CABINET WIDTH	DOOR SPLIT	DRAWER SPLIT
24"	15"	9"
27"	18"	9"
30"	18"	12"
33"	21"	12"
36"	21"	15"
39"	24"	15"
42"	24"	18"

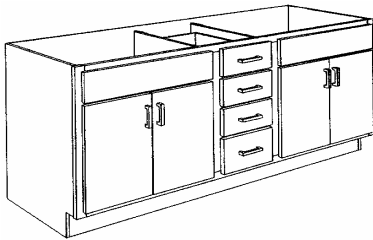
VANITY SINK BASE DOORS/ DRAWERS COMBINATIONS 31" HIGH



	PRODUCT CODE	A-LINE	B-LINE
18" DEEP	VSBC3D6018		
	VSBC3D6618		
	VSBC3D7218		
21" DEEP	VSBC3D6021		
	VSBC3D6621		
	VSBC3D7221		

VANITY SINK BASE COMBINATION 3 DRAWER

- For double bowl applications.
- 60" Unit has two 24" sink base sections and one 12"- 3 drawer center section.
- 66" Unit has two 24" sink base sections and one 18"- 3 drawer center section.
- 72" Unit has two 24" sink base sections and one 24"- 3 drawer center section.

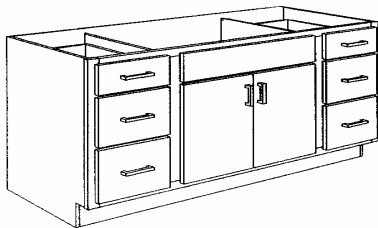


18" DEEP	VSBC4D6018		
	VSBC4D6618		
	VSBC4D7218		
21" DEEP	VSBC4D6021		
	VSBC4D6621		
	VSBC4D7221		

VANITY SINK BASE COMBINATION 4 DRAWER

- For double bowl applications.
- 60" Unit has two 24" sink base sections and one 12"- 4 drawer center section.
- 66" Unit has two 24" sink base sections and one 18"- 4 drawer center section.
- 72" Unit has two 24" sink base sections and one 24"- 4 drawer center section.
- Not recommended for inset

Note for Inset configuration: The Inset frame configuration is different from an overlay frame; see frame configurations located in the Introduction section of the catalog. Top and bottom drawer boxes will be 4" high, two middle drawer boxes will be 3" high. The two center drawer fronts will always be slab.

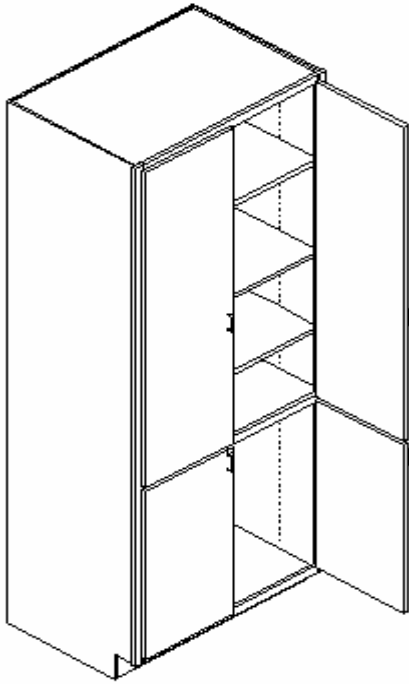


18" DEEP	VSBC6D4818		
	VSBC6D5418		
	VSBC6D6018		
	VSBC6D6618		
	VSBC6D7218		
21" DEEP	VSBC6D4821		
	VSBC6D5421		
	VSBC6D6021		
	VSBC6D6621		
	VSBC6D7221		

VANITY SINK BASE COMBINATION 6 DRAWER

- For single bowl applications.
- 48" Unit has two-12"- 3 drawer sections and one center 24" sink base.
- 54" Unit has two 15"- 3 drawer sections and one center 24" sink base.
- 60" Unit has two 18"- 3 drawer sections and one center 24" sink base.
- 66" Unit has two 21"- 3 drawer sections and one center 24" sink base.
- 72" Unit has two 24"- 3 drawer sections and one center 24" sink base.

VANITY TALL CABINETS

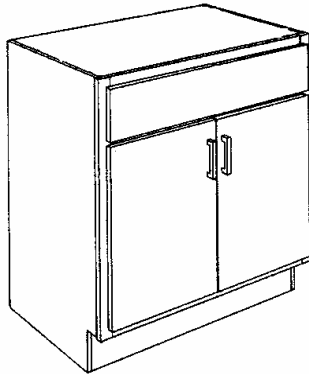
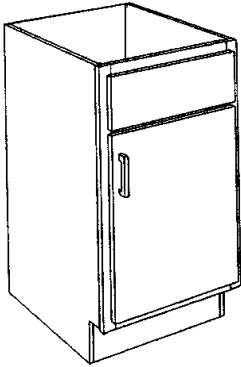


VANITY TALL UTILITY CABINET

- 1 Adjustable shelf in lower section.
- 3 Adjustable shelves in upper section in 84" tall units.
- 4 Adjustable shelves in upper section in 90" tall units.
- 5 Adjustable shelves in upper section in 96" tall units.
- Bottom door half is 31" high. (standard vanity height)
- Toe space shipped loose as standard on 90" and 96" tall units unless otherwise specified.

	PRODUCT CODE	A-LINE	B-LINE
2-DOOR, 84"	VTUC 158421		
	VTUC 188421		
	VTUC 218421		
4-DOOR, 84"	VTUC248421		
	VTUC 278421		
	VTUC 308421		
	VTUC 338421		
	VTUC 368421		
	VTUC 398421		
2-DOOR,90"	VTUC 159021		
	VTUC 189021		
	VTUC 219021		
4-DOOR,90"	VTUC249021		
	VTUC 279021		
	VTUC 309021		
	VTUC 339021		
	VTUC 369021		
	VTUC 399021		
2-DOOR, 96"	VTUC 159621		
	VTUC 189621		
	VTUC 219621		
4-DOOR, 96"	VTUC249621		
	VTUC 279621		
	VTUC 309621		
	VTUC 339621		
	VTUC 369621		
	VTUC 399621		

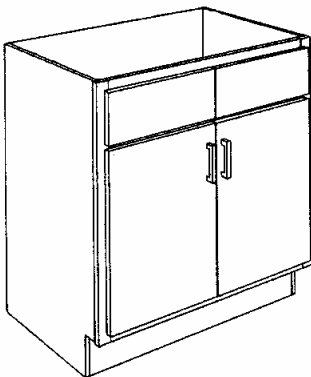
BASE HEIGHT VANITY SINK BASES DOOR/FALSE DRAWER 34 1/2" HIGH



VANITY SINK BASE CABINET
FULL WIDTH FALSE DRAWER.

	PRODUCT CODE	A-LINE	B-LINE
18" DEEP	VSB1818BH		
	VSB2118BH		
	VSB2418-1BH		
	VSB2418-2BH		
	VSB2718BH		
	VSB3018BH		
	VSB3318BH		
	VSB3618BH		
21" DEEP	VSB1821BH		
	VSB2121BH		
	VSB2421-1BH		
	VSB2421-2BH		
	VSB2721BH		
	VSB3021BH		
	VSB3321BH		
	VSB3621BH		

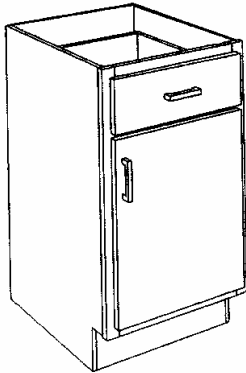
VANITY SINK BASES DOOR/ 2 FALSE DRAWERS 34 1/2" HIGH



VANITY SINK BASE 2 FALSE DRAWER SIDE BY SIDE.

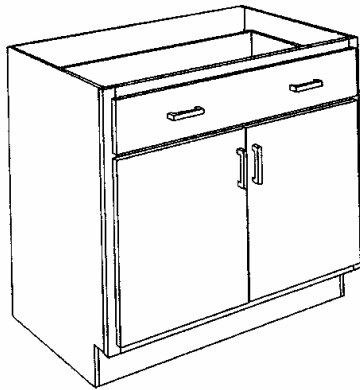
18" DEEP	VSB2D3018BH		
	VSB2D3318BH		
	VSB2D3618BH		
	VSB2D3918BH		
	VSB2D4218BH		
	VSB2D4518BH		
	VSB2D4818BH		
21" DEEP	VSB2D3021BH		
	VSB2D3321BH		
	VSB2D3621BH		
	VSB2D3921BH		
	VSB2D4221BH		
	VSB2D4521BH		
	VSB2D4821BH		

VANITY BASES DOOR/DRAWERS 34 1/2" HIGH



18" DEEP

1-Full depth adjustable shelf



21" DEEP

1-3/4 depth adjustable shelf

VANITY BASE CABINET FULL WIDTH DRAWER.

- Top functioning drawer.

PRODUCT CODE	A-LINE	B-LINE
--------------	--------	--------

VB1D1218BH		
------------	--	--

VB1D1518BH		
------------	--	--

VB1D1818BH		
------------	--	--

VB1D2118BH		
------------	--	--

VB1D2418-1BH		
--------------	--	--

VB1D2418-2BH		
--------------	--	--

VB1D2718BH		
------------	--	--

VB1D3018BH		
------------	--	--

VB1D3318BH		
------------	--	--

VB1D3618BH		
------------	--	--

VB1D1221BH		
------------	--	--

VB1D1521BH		
------------	--	--

VB1D1821BH		
------------	--	--

VB1D2121BH		
------------	--	--

VB1D2421-1BH		
--------------	--	--

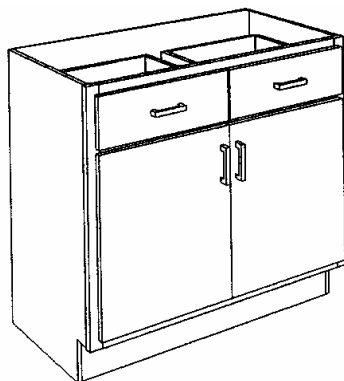
VB1D2421-2BH		
--------------	--	--

VB1D2721BH		
------------	--	--

VB1D3021BH		
------------	--	--

VB1D3321BH		
------------	--	--

VB1D3621BH		
------------	--	--



18" DEEP

1-Full depth adjustable shelf

21" DEEP

1-3/4 depth adjustable shelf

VANITY BASE 2 DRAWER SIDE BY SIDE.

- Top functioning drawer.

VB2D3018BH		
------------	--	--

VB2D3318BH		
------------	--	--

VB2D3618BH		
------------	--	--

VB2D4218BH		
------------	--	--

VB2D4518BH		
------------	--	--

VB2D4818BH		
------------	--	--

VB2D3021BH		
------------	--	--

VB2D3321BH		
------------	--	--

VB2D3621BH		
------------	--	--

VB2D4221BH		
------------	--	--

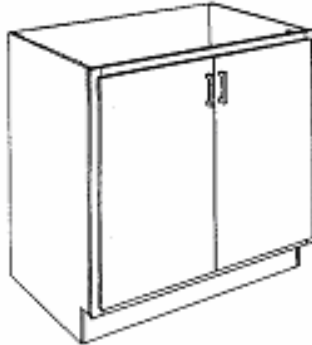
VB2D4521BH		
------------	--	--

VB2D4821BH		
------------	--	--

VANITY BASES FULL HEIGHT DOOR 34 1/2" HIGH



18" DEEP
2-3/4 depth
adjustable
shelves

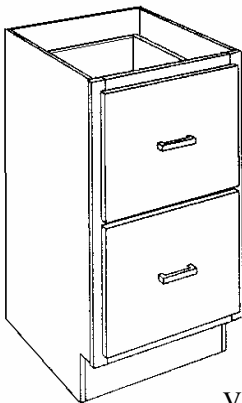


21" DEEP
2-3/4 depth
adjustable
shelves

VANITY BASE CABINET WITH
FULL HEIGHT DOOR (S)

PRODUCT CODE	A-LINE	B-LINE
VFD1818BH		
VFD2118BH		
VFD2418-1BH		
VFD2418-2BH		
VFD2718BH		
VFD3018BH		
VFD3318BH		
VFD3618BH		
VFD1821BH		
VFD2121BH		
VFD2421-1BH		
VFD2421-2BH		
VFD2721BH		
VFD3021BH		
VFD3321BH		
VFD3621BH		

VANITY 2-DRAWER BASE 34 1/2" HIGH



18" DEEP

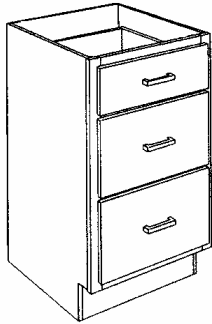
21" DEEP

VANITY 2 DRAWER BASE.

- 2- 10" Drawer boxes.

V2DB1218BH		
V2DB1518BH		
V2DB1818BH		
V2DB2118BH		
V2DB2418BH		
V2DB1221BH		
V2DB1521BH		
V2DB1821BH		
V2DB2121BH		
V2DB2421BH		

VANITY 3-DRAWER BASE 34 1/2" HIGH



18" DEEP

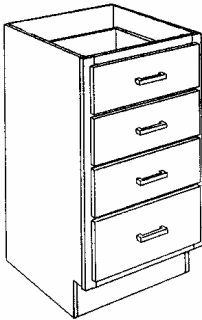
21" DEEP

VANITY 3 DRAWER BASE.

- One 4" Drawer box
- Two 8" Drawer boxes

PRODUCT CODE	A-LINE	B-LINE
V3DB1218BH		
V3DB1518BH		
V3DB1818BH		
V3DB2118BH		
V3DB2418BH		
V3DB1221BH		
V3DB1521BH		
V3DB1821BH		
V3DB2121BH		
V3DB2421BH		

VANITY 4-DRAWER BASE 34 1/2" HIGH



18" DEEP

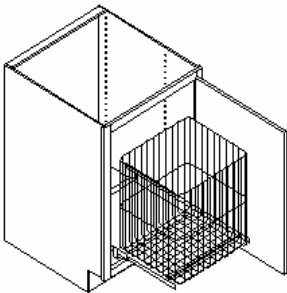
21" DEEP

VANITY BASE 4 DRAWER CABINET

- Top 3 drawer boxes are 4" standard.
- Larger 6" drawer box at bottom position is standard.
- Specify location of larger drawer if other than bottom is required. (Add frame change modification)

V4DB1218BH		
V4DB1518BH		
V4DB1818BH		
V4DB2118BH		
V4DB2418BH		
V4DB1221BH		
V4DB1521BH		
V4DB1821BH		
V4DB2121BH		
V4DB2421BH		

VANITY HAMPER BASE 34 1/2" HIGH



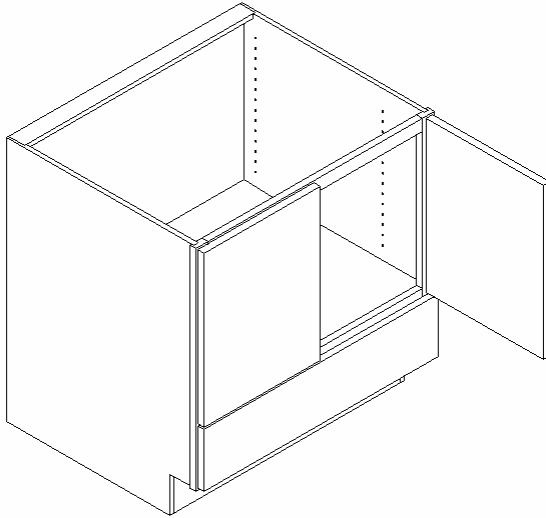
21" DEEP

VANITY HAMPER BASE, 34 1/2" HIGH

- White epoxy coated steel wire basket.
- Specify right (R) or left (L) hinge.

VHB1521BH		
VHB1821BH		

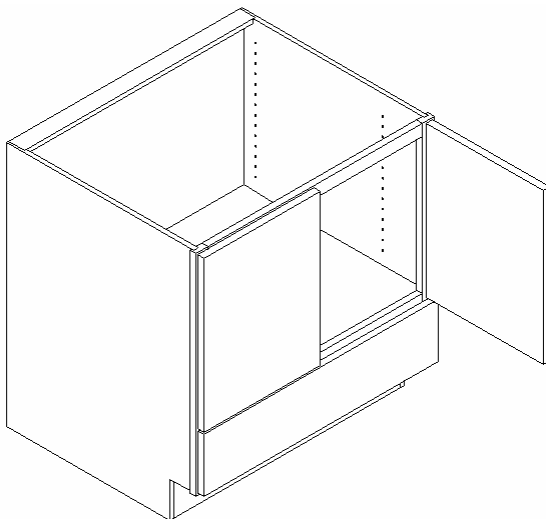
INVERTED VANITY BASE HEIGHT 1 DRAWER, 2 DOORS—34 1/2" HIGH, 18" DEEP



PRODUCT CODE	A-LINE	B-LINE
VBI1D2418-2 BH		
VBI1D2718BH		
VBI1D3018BH		
VBI1D3318BH		
VBI1D3618BH		

- 4" drawer box at the bottom of the cabinet with 2 doors above
- Fixed floor between door area and drawer box

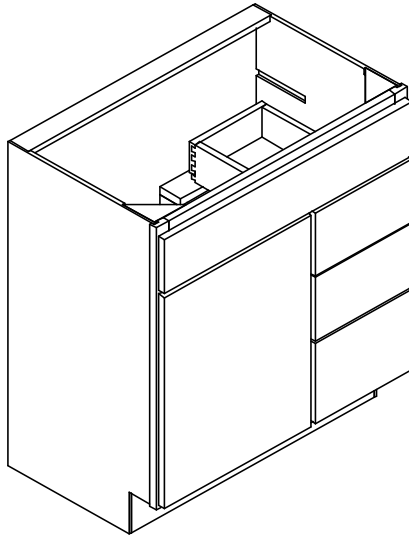
INVERTED VANITY BASE HEIGHT 1 DRAWER, 2 DOORS—34 1/2" HIGH, 21" DEEP



PRODUCT CODE	A-LINE	B-LINE
VBI1D2421-2BH		
VBI1D2721BH		
VBI1D3021BH		
VBI1D3321BH		
VBI1D3621BH		

- 4" drawer box at the bottom of the cabinet with 2 doors above
- Fixed floor between door area and drawer box

VANITY OFFSET COMBINATION DRAWER



18" DEEP

PRODUCT A-LINE B-LINE
CODE

VOC3018BH

VOC3318BH

VOC3618BH

VOC3918BH

VOC4218BH

21" DEEP

VOC3021BH

VOC3321BH

VOC3621BH

VOC3921BH

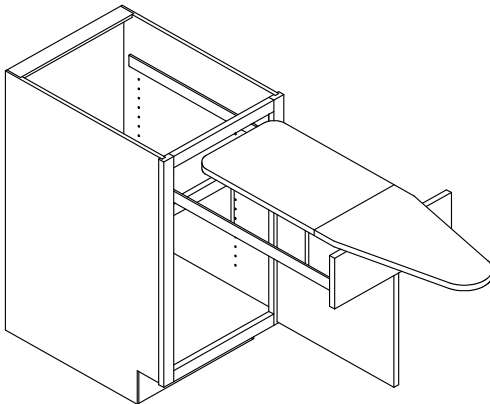
VOC4221BH

VANITY OFFSET COMBINATION DRAWER

- Designate left (L) or right (R) for drawer side. Right shown.
- Hinged to outside unless specified.

CABINET WIDTH	DOOR SPLIT	DRAWER SPLIT
30"	18"	12"
33"	21"	12"
36"	21"	15"
39"	24"	15"
42"	24"	18"

VANITY IRONING BOARD CABINET, BASE HEIGHT



18" DEEP

PRODUCT A-LINE B-LINE
CODE

VIRON1818BH

VIRON2118BH

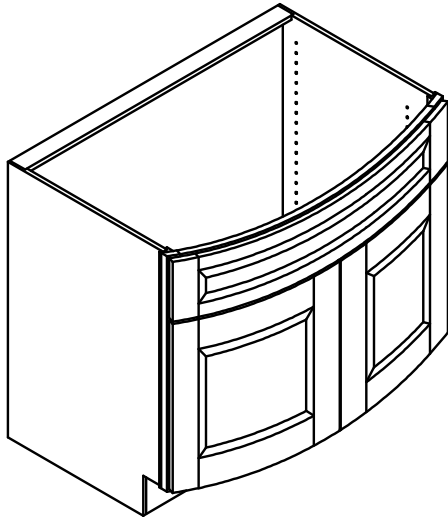
21" DEEP

VIRON1821BH

VIRON2121BH

- Folding ironing board replaces top drawer box.
- Slab drawer front only available
- Easy to use: open until gravity lock engages and unfold board.
- 18" and 21" deep cabinet = ironing surface will be approximately 12" W x 29 1/4" L.
- Minimum cabinet width = 18" (15" frame opening)
- 1-adjustable 4" rollout shelf in lower opening, standard. (Not illustrated)
- Includes a heat reflecting cover for the ironing board. (Replacement cover available)
- Specify hinge side for door.

VANITY RADIUS SINK BASE, 1 FALSE DRAWER, 2 DOORS BASE HEIGHT



PRODUCT CODE	A-LINE	B-LINE
VRSB3018-BH		
VRSB3318-BH		
VRSB3618-BH		
VRSB3021-BH		
VRSB3321-BH		
VRSB3621-BH		

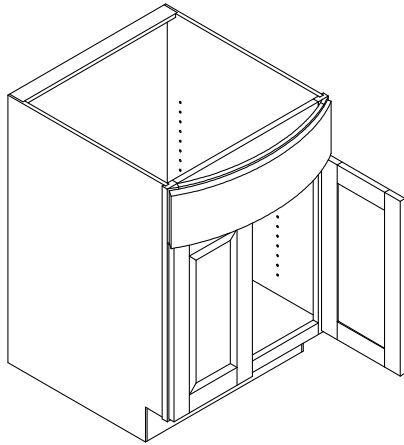
VANITY RADIUS SINK BASE, 1 False drawer and 2 Doors BASE HEIGHT

- Side door reveals are adjusted to allow operation of doors and drawers on adjacent cabinets.
- Face frame has a 3" rise. (Example: 21" deep VRSB3021-BH has 21" deep case sides with a 24" overall depth to face of center frame)
- Standard recessed toe will be squared.
- Tilt-out fronts are not available.
- Radius cabinets may ship separately from the rest of the order. Extended lead times apply.
- The following door styles are not available: Cafe, Cottage, Crossland, Lakeland, Lincoln, Madrid, Newport, Prairie, Sardinia, Valletta, Verona, Zenith

Please send for a custom quote if any of the following apply:

- Cabinet height is modified above 42"
- Cabinet width or depth is changed
- Another cabinet configuration is wanted
- MDF door style is chosen (Summit MDF not available)
- Mullion door is desired
- See general accessories for radius molding offerings

VANITY SINK BASE W/ RADIUS DRAWER FRONT BASE HEIGHT



PRODUCT CODE	A-LINE	B-LINE
VSBRD3018-BH		
VSBRD3318-BH		
VSBRD3618-BH		
VSBRD3021-BH		
VSBRD3321-BH		
VSBRD36212-BH		

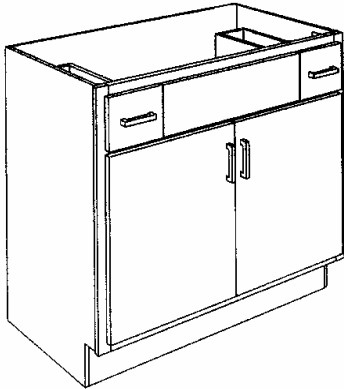
VANITY SINK BASE W/ RADIUS DRAWER FRONT BASE HEIGHT

- Single Radius Drawer Front above 2 non-radius doors.
- Radius portion of face frame has a 3" rise. Example: 21" deep VSBRD3021 has 21" deep case sides with a 24" overall depth to center of radius face frame.
- Tiltout drawer fronts are not available.
- Radius cabinets may ship separately from the rest of the order. Extended lead time apply.
- The following door styles are not available: Cafe, Cottage, Crossland, Lakeland, Lincoln, Madrid, Newport, Prairie, Sardinia, Valletta, Verona, Zenith

Please send for a custom quote if any of the following apply:

- Cabinet height is modified above 42"
- Cabinet width or depth is changed
- Another cabinet configuration is wanted
- MDF door style is chosen (Summit MDF not available)
- See general accessories for radius molding offerings

VANITY SINK BASES DOOR/ DRAWERS 34 1/2" HIGH



18" DEEP

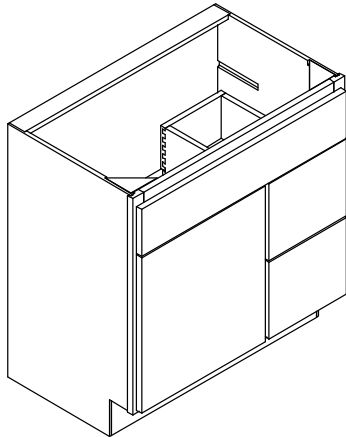
PRODUCT CODE	A-LINE	B-LINE
VSB3D3618BH		
VSB3D3918BH		
VSB3D4218BH		
VSB3D4518BH		
VSB3D4818BH		

21" DEEP

VSB3D3621BH		
VSB3D3921BH		
VSB3D4221BH		
VSB3D4521BH		
VSB3D4821BH		

VANITY SINK BASE 2 DRAWER AND FALSE CENTER DRAWER.

- Working drawers to the left and right of an 18" standard center opening.
- **NOTE:** If the frame openings for the drawer boxes are modified to be smaller than the standard opening on a VSB3D36, then solo glides must be substituted.



18" DEEP

VBCD2418BH		
VBCD2718BH		
VBCD3018BH		
VBCD3318BH		
VBCD3618BH		
VBCD3918BH		
VBCD4218BH		

21" DEEP

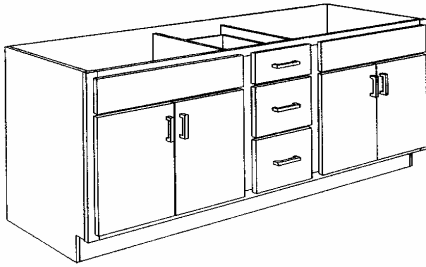
VBCD2421BH		
VBCD2721BH		
VBCD3021BH		
VBCD3321BH		
VBCD3621BH		
VBCD3921BH		
VBCD4221BH		

VANITY BASE COMBINATION DRAWER

- Designate left (L) or right (R) for drawer side. Right shown.
- Hinged to outside unless specified.

CABINET WIDTH	DOOR SPLIT	DRAWER SPLIT
24"	15"	9"
27"	18"	9"
30"	18"	12"
33"	21"	12"
36"	21"	15"
39"	24"	15"
42"	24"	18"

VANITY SINK BASE DOORS/ DRAWERS COMBINATIONS 34 1/2" HIGH



18" DEEP

PRODUCT CODE	A-LINE	B-LINE
--------------	--------	--------

VSBC3D6018BH		
--------------	--	--

VSBC3D6618BH		
--------------	--	--

VSBC3D7218BH		
--------------	--	--

21" DEEP

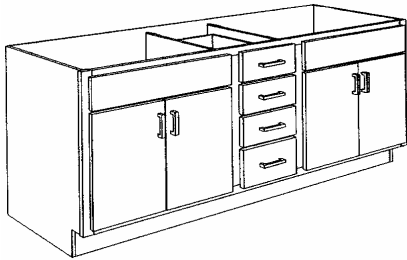
VSBC3D6021BH		
--------------	--	--

VSBC3D6621BH		
--------------	--	--

VSBC3D7221BH		
--------------	--	--

VANITY SINK BASE COMBINATION 3 DRAWER

- For double bowl applications.
- 60" Unit has two 24" sink base sections and one 12"- 3 drawer center section.
- 66" Unit has two 24" sink base sections and one 18"- 3 drawer center section.
- 72" Unit has two 24" sink base sections and one 24"- 3 drawer center section.



18" DEEP

VSBC4D6018BH		
--------------	--	--

VSBC4D6618BH		
--------------	--	--

VSBC4D7218BH		
--------------	--	--

21" DEEP

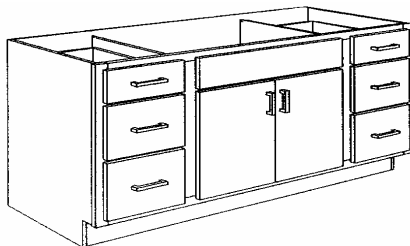
VSBC4D6021BH		
--------------	--	--

VSBC4D6621BH		
--------------	--	--

VSBC4D7221BH		
--------------	--	--

VANITY SINK BASE COMBINATION 4 DRAWER

- For double bowl applications.
- 60" Unit has two 24" sink base sections and one 12"- 4 drawer center section.
- 66" Unit has two 24" sink base sections and one 18"- 4 drawer center section.
- 72" Unit has two 24" sink base sections and one 24"- 4 drawer center section.



18" DEEP

VSBC6D4818BH		
--------------	--	--

VSBC6D5418BH		
--------------	--	--

VSBC6D6018BH		
--------------	--	--

VSBC6D6618BH		
--------------	--	--

VSBC6D7218BH		
--------------	--	--

21" DEEP

VSBC6D4821BH		
--------------	--	--

VSBC6D5421BH		
--------------	--	--

VSBC6D6021BH		
--------------	--	--

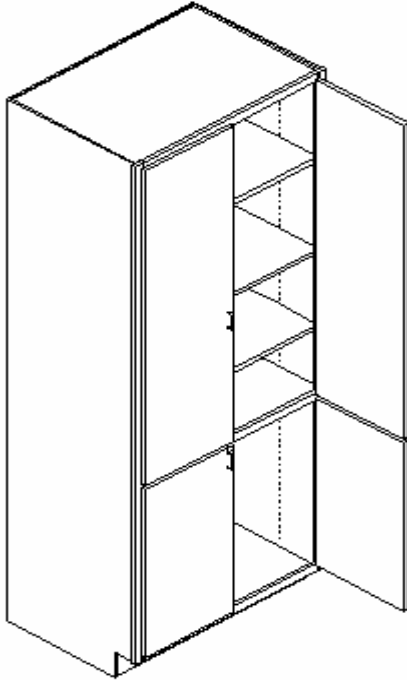
VSBC6D6621BH		
--------------	--	--

VSBC6D7221BH		
--------------	--	--

VANITY SINK BASE COMBINATION 6 DRAWER

- For single bowl applications.
- 48" Unit has two 12"- 3 drawer sections and one center 24" sink base.
- 54" Unit has two 15"- 3 drawer sections and one center 24" sink base.
- 60" Unit has two 18"- 3 drawer sections and one center 24" sink base.
- 66" Unit has two 21"- 3 drawer sections and one center 24" sink base.
- 72" Unit has two 24"- 3 drawer sections and one center 24" sink base.

VANITY TALL CABINETS TO MATCH BASE HEIGHT VANITIES



2-DOOR, 84" TALL

PRODUCT CODE A-LINE B-LINE

VTUC158421BH

VTUC188421BH

VTUC218421BH

4-DOOR, 84" TALL

VTUC248421-4BH

VTUC278421-4BH

VTUC308421-4BH

VTUC338421-4BH

VTUC368421-4BH

VTUC398421-4BH

2-DOOR, 90" TALL

VTUC 159021BH

VTUC 189021BH

VTUC 219021BH

4-DOOR, 90" TALL

VTUC249021-4BH

VTUC 279021-4BH

VTUC 309021-4BH

VTUC 339021-4BH

VTUC 369021-4BH

VTUC 399021-4BH

2-DOOR, 96" TALL

VTUC 159621BH

VTUC 189621BH

VTUC 219621BH

4-DOOR, 96" TALL

VTUC249621-4BH

VTUC 279621-4BH

VTUC 309621-4BH

VTUC 339621-4BH

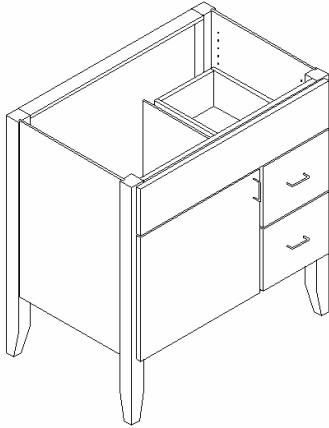
VTUC 369621-4BH

VTUC 399621-4BH

VANITY TALL UTILITY CABINET

- 1 Adjustable shelf in lower section.
- 3 Adjustable shelves in upper section in 84" tall units.
- 4 Adjustable shelves in upper section in 90" tall units.
- 5 Adjustable shelves in upper section in 96" tall units.
- Bottom door half is 34 1/2" high. (Base height)
- Toe space shipped loose as standard on 90" and 96" tall units unless otherwise specified.

TAPER LEG VANITY SINK BASE HEIGHT



34 1/2" TALL

PRODUCT CODE	A-LINE	B-LINE
--------------	--------	--------

VTLC3021BH

VTLC3321BH

VTLC3621BH

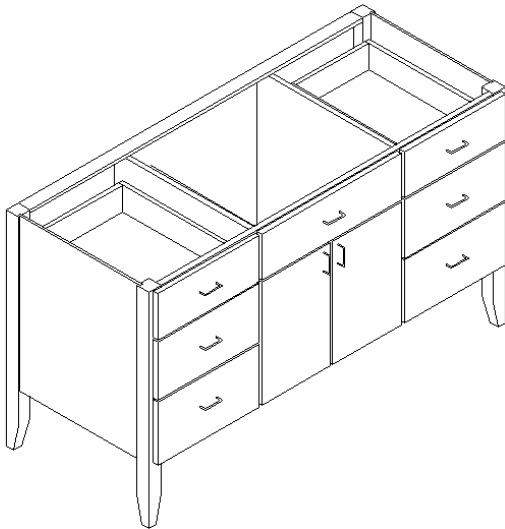
VTLC3921BH

VTLC4221BH

CABINET WIDTH	DOOR SPLIT	DRAWER SPLIT
30"	18"	12"
33"	21"	12"
36"	21"	15"
39"	24"	15"
42"	24"	18"

VANITY TAPER LEG COMBINATION, 30"- 42" WIDE

- 2- 2" Square tapered legs to be attached in frame.
- 2- 2" Square tapered legs to be attached to back of cabinet.
- Finished ends are standard.
- 9" open space under cabinet to floor.
- Designate left (L) or right (R) for drawer side. Right shown.
- Hinged to outside unless specified.



34 1/2" TALL

VTLC4821BH

VTLC5421BH

VTLC6021BH

VANITY TAPER LEG COMBINATION, 48"- 60" WIDE

- VTLC4821 unit has two 12"-3 drawer sections and one center 24" sink base section.
- VTLC5421 unit has two 15"-3 drawer sections and one center 24" sink base section.
- VTLC6021 unit has two 18"-3 drawer sections and one center 24" sink base section.

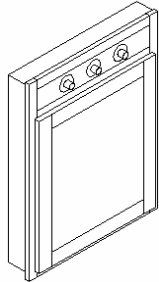
MEDICINE CABINETS

The case dimensions of medicine cabinets are determined by the distance between wall studs set on 16" centers. The outside width of the case of a 16" medicine cabinet is 14 1/2" and the depth of the case behind the frame is approximately 3 1/2". 24", 36", and 42" medicine cabinets will have to be boxed in when recessed in the wall. All show ends are finished so the cabinets can be either recessed in the wall or flush mounted. All medicine cabinets without light bars attached are 29" tall, while medicine cabinets with light bars attached are 32" tall. Light bars will be polished brass. Please check with Customer Service for availability of other options.

NOTE: WE DO NOT SHIP LIGHT BULBS OR LIGHT GLOBES FOR ANY OF THESE UNITS

SINGLE DOOR MEDICINE CABINETS

PRODUCT CODE	A-LINE	B-LINE
--------------	--------	--------



WITH CONTEMPORARY LIGHT BAR

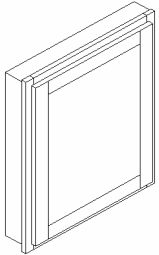
- 32" high, 4 1/4" deep
- finished exterior
- three 3/4" adjustable shelves
- polished brass light bar
- framed mirror door

2 LIGHTS

SMLB1632

3 LIGHTS

SMLB2432



WITHOUT LIGHT BAR

- 29" high, 4 1/4" deep
- finished exterior
- three 3/4" adjustable shelves
- framed mirror door

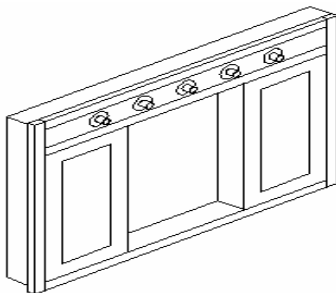
SDMC1629

SDMC2429

RECESSED CENTER MIRROR MEDICINE CABINETS

Recessed center mirror medicine cabinets are constructed with both right and left medicine compartments that are hinged to the inside for a tri-view effect when opened. The center section is a fully recessed mirror that is surrounded with wood trim. Both the right and left compartment doors are framed doors with mirrored center panels. The 48" wide cabinet has a 22" center mirror and the 42" wide cabinet has a 16" center mirror.

PRODUCT CODE	A-LINE	B-LINE
--------------	--------	--------



WITH CONTEMPORARY LIGHT BAR

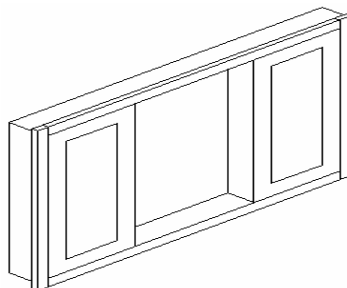
- 32" high, 4 1/4" deep
- finished exterior
- three 3/4" adjustable shelves in left and right side
- polished brass light bar

5 LIGHTS

RCMLB4232

6 LIGHTS

RCMLB4832



WITHOUT LIGHT BAR

- 29" high, 4 1/4" deep
- finished exterior
- three 3/4" adjustable shelves in left and right side

RCMMC42

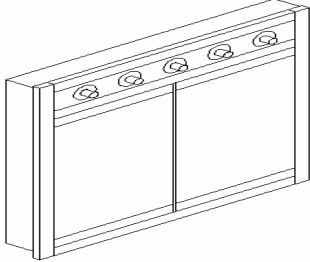
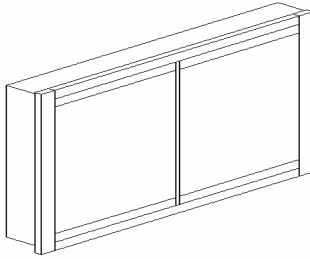
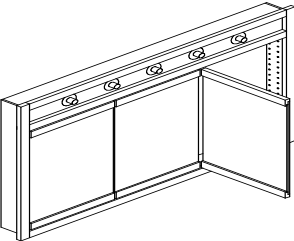
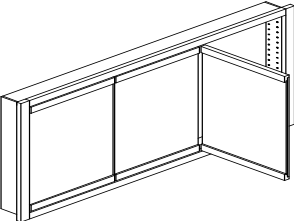
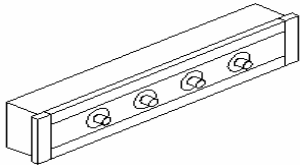
RCMMC48

medicine cabinets continued...

MEDICINE CABINETS / LIGHT BARS

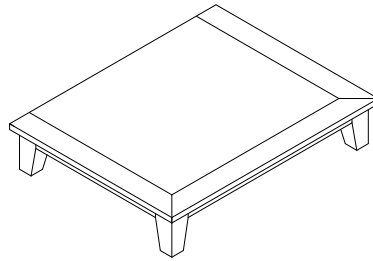
medicine cabinets continued from previous page...

NOTE: WE DO NOT SHIP LIGHT BULBS OR LIGHT GLOBES FOR ANY OF THESE UNITS

	<u>PRODUCT CODE</u>	<u>LIST PRICE</u>
BI-VIEW MEDICINE CABINET		
	<p>WITH CONTEMPORARY LIGHT BAR</p> <ul style="list-style-type: none"> • 32" high, 4 1/4" deep • finished exterior • three 3/4" adjustable shelves • polished brass light bar • flush mirror doors hinged to the center 	
	<p style="text-align: center;"><u>4 LIGHTS</u></p> <p>BMLB3032</p>	
	<p style="text-align: center;"><u>5 LIGHTS</u></p> <p>BMLB3632</p>	
	<p>WITHOUT LIGHT BAR</p> <ul style="list-style-type: none"> • 29" high, 4 1/4" deep • finished exterior • three 3/4" adjustable shelves • flush mirror doors hinged to the center 	
	<p>BMC3029</p> <p>BMC3629</p>	
<hr/>		
TRI-VIEW MEDICINE CABINET		
	<p>WITH CONTEMPORARY LIGHT BAR</p> <ul style="list-style-type: none"> • 32" high, 4 1/4" deep • finished exterior • three 3/4" adjustable shelves • polished brass light bar • three equal flush mirror doors • outer doors hinged to the center 	
	<p style="text-align: center;"><u>5 LIGHTS</u></p> <p>TMLB4232</p>	
	<p style="text-align: center;"><u>6 LIGHTS</u></p> <p>TMLB4832</p>	
	<p>WITHOUT LIGHT BAR</p> <ul style="list-style-type: none"> • 29" high, 4 1/4" deep • finished exterior • three 3/4" adjustable shelves • three equal flush mirror doors • outer doors hinged to the center 	
	<p>TMC4229</p> <p>TMC4829</p>	
<hr/>		
CONTEMPORARY LIGHT BAR		
	<ul style="list-style-type: none"> • 6 1/2" high, 4 1/4" deep • Case depth behind frame is approximately 3 1/2". • Finished exterior for flush mount; must be boxed in if recessed in the wall. • Polished brass light bar: contact Customer Service to check availability of other options. • Light bulbs or light globes do <u>not</u> ship with this unit. 	
	<p style="text-align: center;"><u>4 LIGHTS</u></p> <p>CTLB30</p>	
	<p style="text-align: center;"><u>5 LIGHTS</u></p> <p>CTLB36</p>	
	<p style="text-align: center;"><u>6 LIGHTS</u></p> <p>CTLB48</p>	

VANITY ACCESSORIES

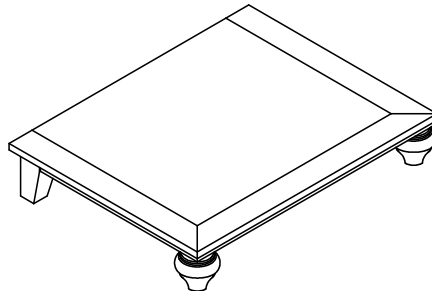
TAPER FEET FURNITURE PLATFORM



- 6 3/4" Overall height. (The platform is 2 1/4" taller than the standard toe space. To align with adjacent cabinets, the base cabinet used in conjunction with the platform will need the height reduced by 2 1/4". A MDCDIM up-charge is not required for this circumstance only. This height adjustment will not be made by Brighton unless specified on the order.)
- The sizes shown are to match the corresponding cabinet sizes.
- The Platform will have a finished size of 3/4" deeper and 1 1/2" wider than listed. (Example: TAFP2421 will have overall dimensions of 25 1/2" wide by 21 3/4" deep)
- Designed to be used with a base cabinet having MLSTK (loose toe modification) applied.
- 3/4" plywood top with 3" wide solid wood edge on front and both sides. Machine edge profile as standard.
- 2" straight valances between the feet on front and both sides.

PRODUCT CODE	LIST
TAFP2421	
TAFP2721	
TAFP3021	
TAFP3321	
TAFP3621	
TAFP3921	
TAFP4221	
TAFP4521	
TAFP4821	
TAFP5121	
TAFP5421	
TAFP5721	
TAFP6021	

COUNTRY FRENCH FURNITURE PLATFORM



- 6 3/4" Overall height. (The platform is 2 1/4" taller than the standard toe space. To align with adjacent cabinets, the base cabinet used in conjunction with the platform will need the height reduced by 2 1/4". A MDCDIM up-charge is not required for this circumstance only. This height adjustment will not be made by Brighton unless specified on the order.)
- The sizes shown are to match the corresponding cabinet sizes.
- The Platform will have a finished size of 3/4" deeper and 1 1/2" wider than listed. (Example: TAFP2421 will have overall dimensions of 25 1/2" wide by 21 3/4" deep)
- Designed to be used with a base cabinet having MLSTK (loose toe modification) applied.
- 3/4" plywood top with 3" wide solid wood edge on front and both sides. PRS-2 edge profile as standard.
- 2" arched valances between the feet on front and both sides.
- Not available in Red Birch.

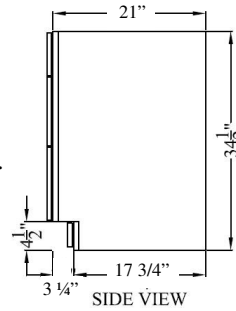
CFFP2421
CFFP2721
CFFP3021
CFFP3321
CFFP3621
CFFP3921
CFFP4221
CFFP4521
CFFP4821
CFFP5121
CFFP5421
CFFP5721
CFFP6021

VANITY ACCESSORIES

PRODUCT LIST

TOE KICK DRAWER - 21" DEEP

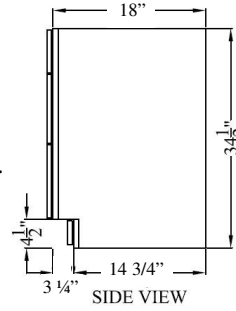
- Add to 21" deep cabinets.
- Operational, 2" high drawer box added into toe kick space.
- 3/4" thick solid wood face frame at bottom and sides.
- Toe notch for side of cabinet remains the same height and depth as standard after the 1/4" AMTK has been applied to adjacent cabinets.
- Actual front to back depth of drawer box is 15" for 21" deep unit.
- Drawer fronts are slab, 5 pc. not available.
- Minimum unit depth is 18".
- Illustration depicts B3D cabinet with ATKD accessory installed.



- ATKD1821
- ATKD2121
- ATKD2421
- ATKD2721
- ATKD3021
- ATKD3321
- ATKD3621

TOE KICK DRAWER - 18" DEEP

- Add to 18" deep cabinets.
- Operational, 2" high drawer box added into toe kick space.
- 3/4" thick solid wood face frame at bottom and sides.
- Toe notch for side of cabinet remains the same height and depth as standard after the 1/4" AMTK has been applied to adjacent cabinets.
- Actual front to back depth of drawer box is 12" for 18" deep unit.
- Drawer fronts are slab, 5 pc. not available.
- Minimum unit depth is 18".
- Illustration depicts B3D cabinet with ATKD accessory installed.



- ATKD1818
- ATKD2118
- ATKD2418
- ATKD2718
- ATKD3018
- ATKD3318
- ATKD3618

VANITY ACCESSORIES

VANITY BASE FILLER

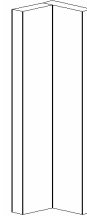
- 3/4" solid wood frame stock
- Standard widths of 3" and 6"
- Standard ships finished on face and all four 3/4" edges.
- Fillers are shipped at the size indicated in the product nomenclature and are not cut down at the factory except by special request only.



PRODUCT CODE	LIST
VBF326.5	
VBF331	
VBF626.5	
VBF631	

VANITY BASE CORNER FILLER

- 90 Degree angle
- Shipped Height=26 1/2"
- Add MFTK (flush toe modification) for 31" height.



VBCF326.5
VBCF626.5

VANITY BASE FILLER WITH RETURN 21"DEEP, 31" HIGH

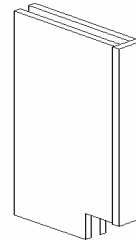
- 3" wide or 6" wide solid wood face frame with 3/4" plywood return
- Specify left (L) or (R) side return.
- Finished ends on specified returns standard.
- Add modification charge for flush finished end.



VBFR331
VBFR631

VANITY BASE FILLER WITH RETURN 21"DEEP, 31" HIGH

- 3" wide or 6" wide solid wood face frame with 2-3/4" plywood return
- Finished ends on both returns standard.
- Add modification charge for flush finished end.



VBFR B 331
VBFR B 631

VANITY BASE OVERLAY FILLER

- Overlay only, does not include filler.
- All 4 edges will be profiled to match door edge.
- Length will match height of door/drawer overlay.
- When adding flutes to standard 2 3/4" wide overlay, two flutes are standard.



2 3/4" WIDE

VOFS 3

5 3/4" WIDE

VOFS 6

VANITY MODIFICATIONS AND ACCESSORIES

- For vanity modifications or accessories refer to Base Cabinets and Tall cabinet modifications and accessories sections.



BLANK