



Custom Idea Section

The following section contains ideas for customized items that can be quoted by Brighton as needed. These are only suggested ideas. Variations of these items may be requested during the quote process. We recommend that a new quote be obtained for these pieces per order. Quotes are valid for 90 days from the date listed on the quote and are based on Brighton's current pricing. When wanting a quote for one of the examples shown in the custom idea section, please reference the specific BCI##### shown by that listing.

Browse through the following collection of ideas, and if these do not suit your needs, they may inspire a unique design for your upcoming project. Please do not hesitate to ask for a quote on any cabinetry need not found within the catalog.

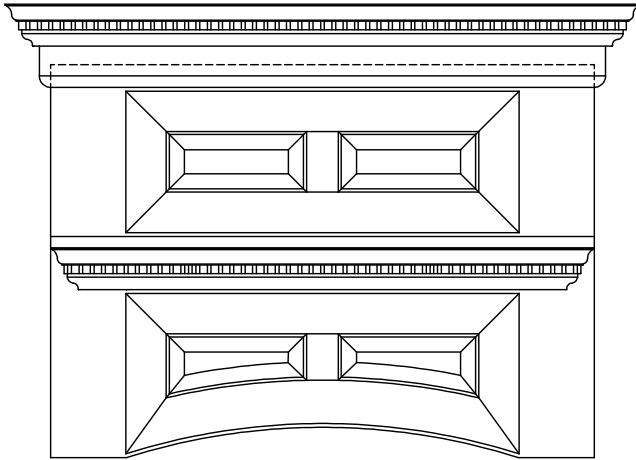


Brighton Cabinetry Custom Unit and Modification Quote Process

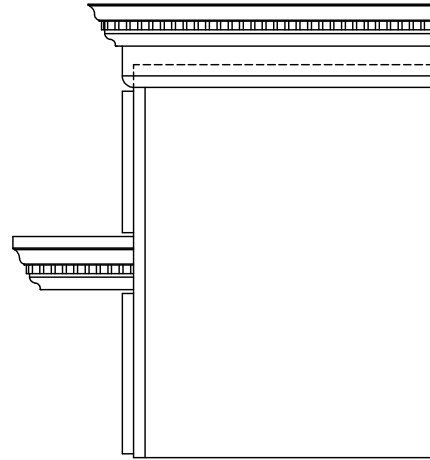
Brighton Cabinetry has developed a specific process designed for Custom Units and Modifications (Any units or modifications not included in our catalog.) Following these steps should ensure that our customers receive exactly what they anticipate.

1. Detailed information from the customer/salesperson is necessary prior to receiving the order. (Customer Name, Drawings, Species, Overlay, Color, Door Style, Drawer Front Style, etc.) The best way for this information to be communicated efficiently is by using the order form in the front of our catalog. ****Please remember to check the box at the top of the form for quote.****
2. Please send all quotes via e-mail to quotes@brightoncabinetry.com. This email address is now up and working and the quotes will be forwarded to the appropriate people. Otherwise fax them to (217)895-3005 and put, ATTN: Quotes Dept. at the top of the page.
3. A Quote Number will be given to each unit to be quoted.
4. If necessary, our design team will go over the quote and decide what materials and construction methods will be used.
5. Once a plan has been approved, a CAD drawing, specifications, and pricing will be developed for each unit. Pricing for the quoted items will not include Specie, Stain, or Overlay up charges because when you add the custom units into 20/20, it will automatically figure those percentages from the list price of the quote.
6. When the specifications are complete, a copy of the finalized quote will be emailed to the salesperson for approval.
7. If changes are to be made, now is the time. Make the appropriate changes on the quote received. Once all changes have been made, resubmit the CAD drawing with the correct changes annotated. (If changes are not made at this time, it could result in delayed lead time of the quoted item, or incurred price increases.)
8. The changes will be updated to the existing quote, and an updated CAD drawing with the changes will be re-emailed to the salesperson for approval.
9. When ordering the Custom Unit, the Custom cabinet from the drag and drop list must be picked in 20/20 and the salesperson must reference the Quote Number for each item. Enter the price from the Quote for this cabinet into 20/20. Also, include a signed copy of the quote for Brighton's production paperwork.
10. During the order entry process we will pull the file referenced by the Quoted Number and process the custom item accordingly.
11. There will be a minimum of 1 day lead time on a quote. All quotes should be returned to salesperson within 3 days from placing the quote.

BCI0001 Custom Hood

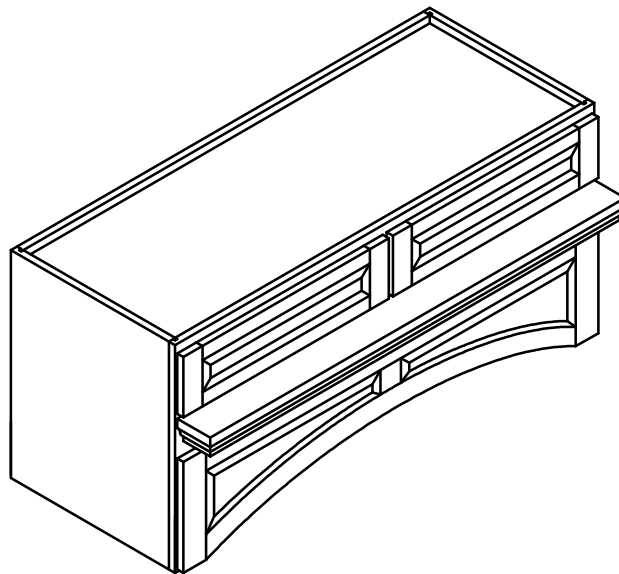


FRONT VIEW

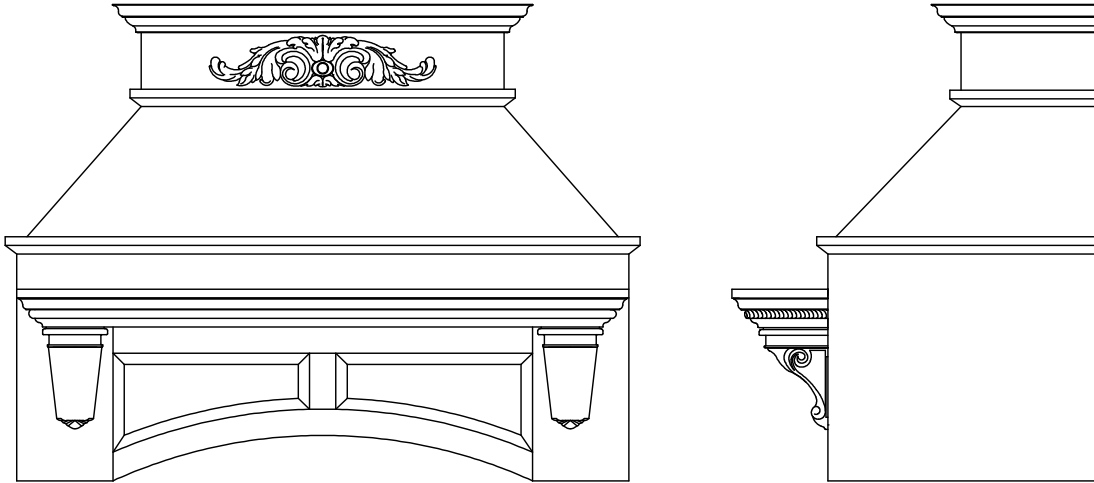


SIDE VIEW

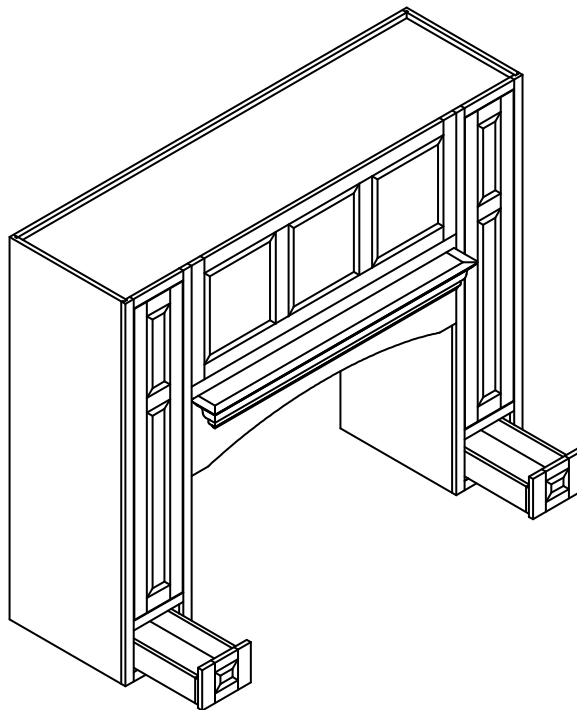
BCI0002 Custom Hood



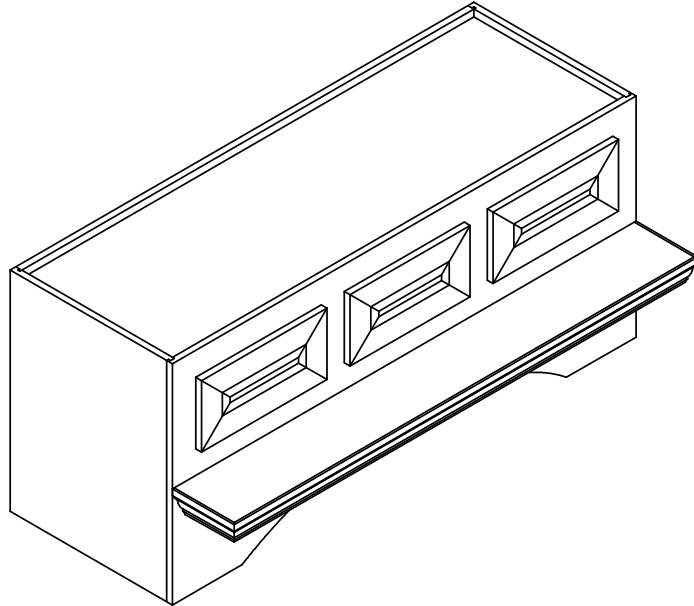
BCI0003 Custom Hood



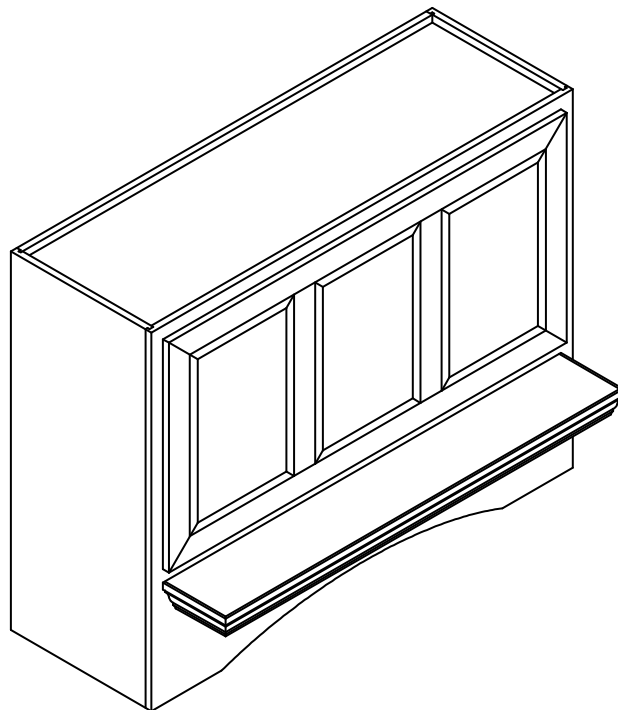
BCI0004 Custom Hood



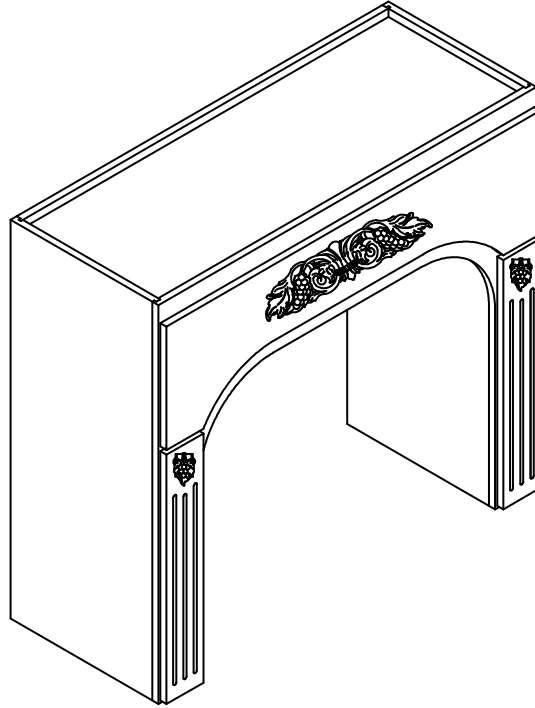
BCI0005 Custom Hood



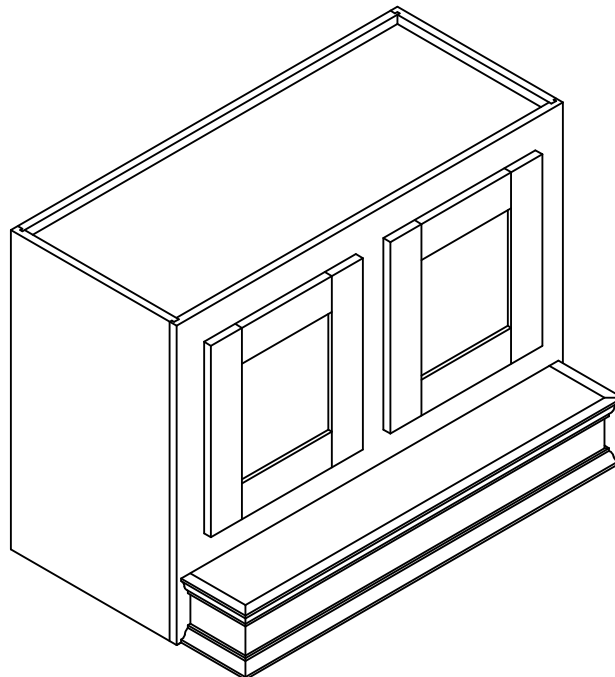
BCI0006 Custom Hood



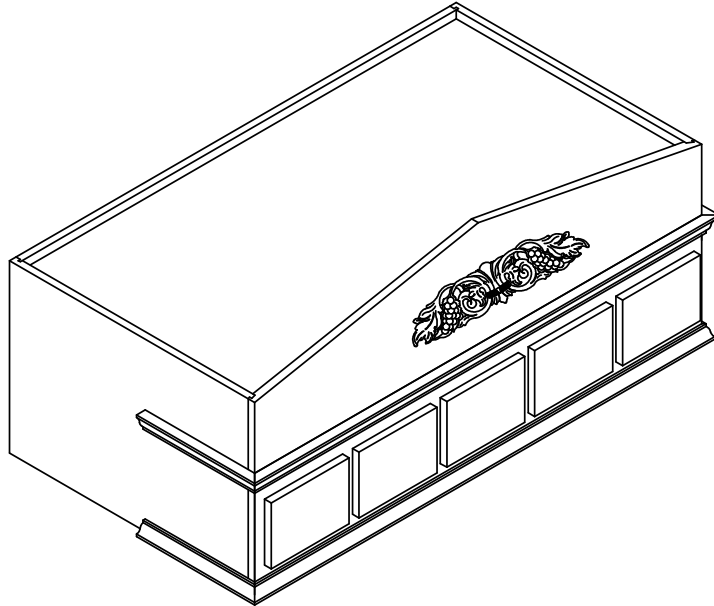
BCI0007 Custom Hood



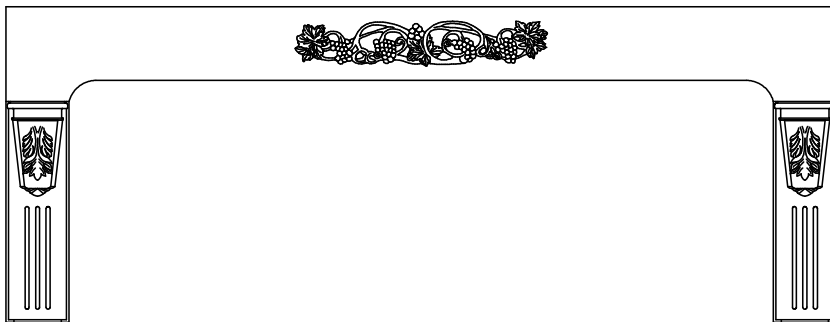
BCI0008 Custom Hood



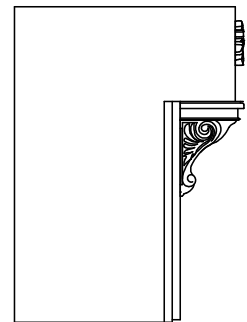
BCI0009 Custom Pediment



BCI0010 Custom Valance

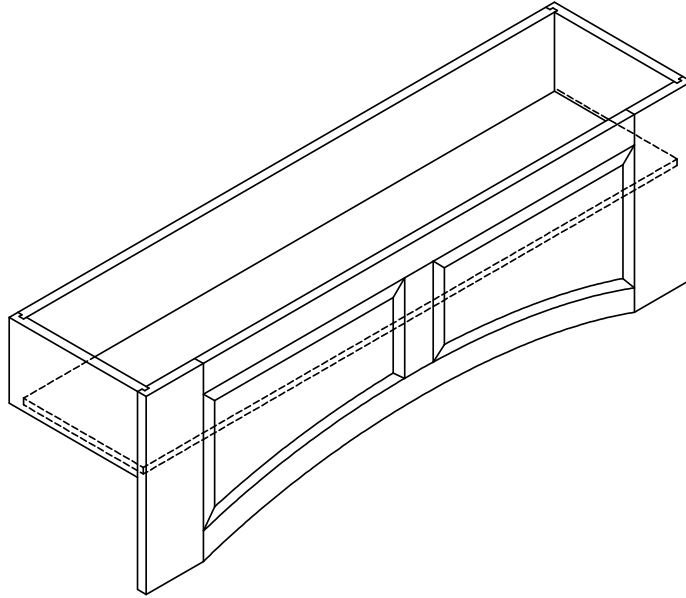


FRONT VIEW

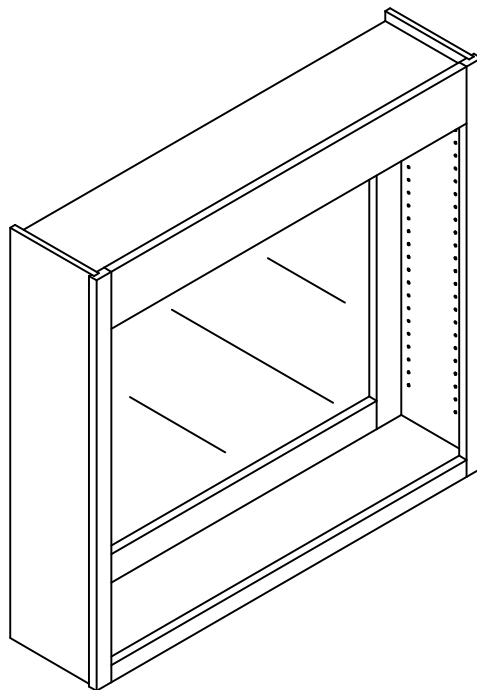


SIDE VIEW

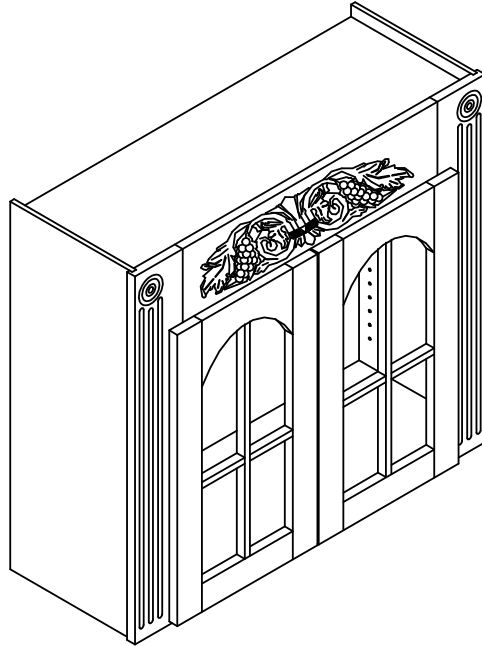
BCI0011 Custom Valance



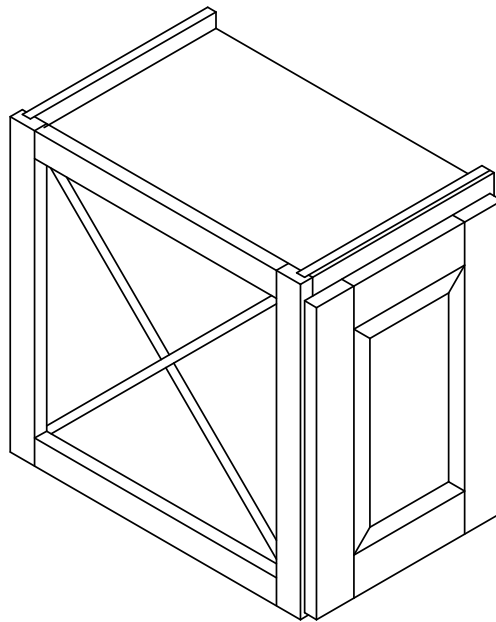
BCI0012 Custom Mirror



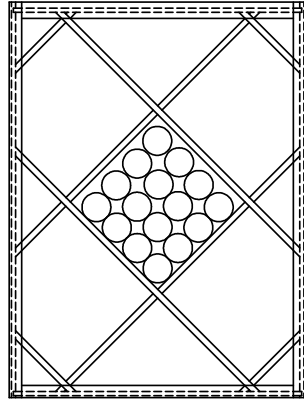
BCI0013 Custom Wall with Applique



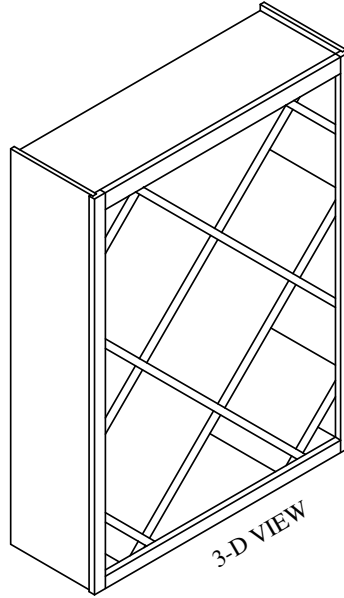
BCI0014 Custom Wine



BCI0015 Custom Wine

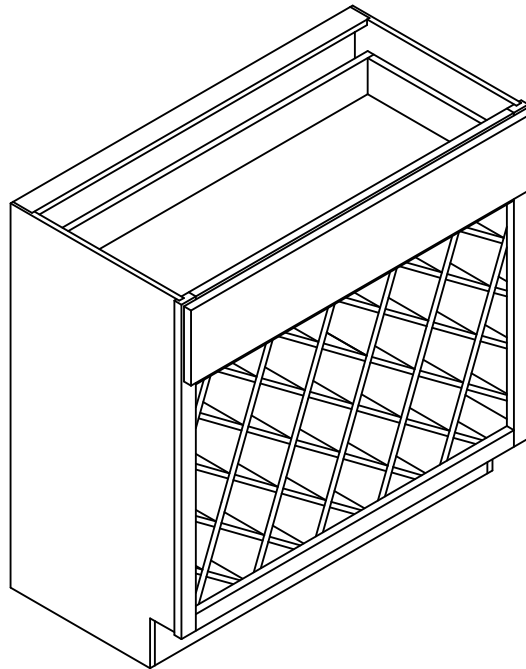


FRONT VIEW

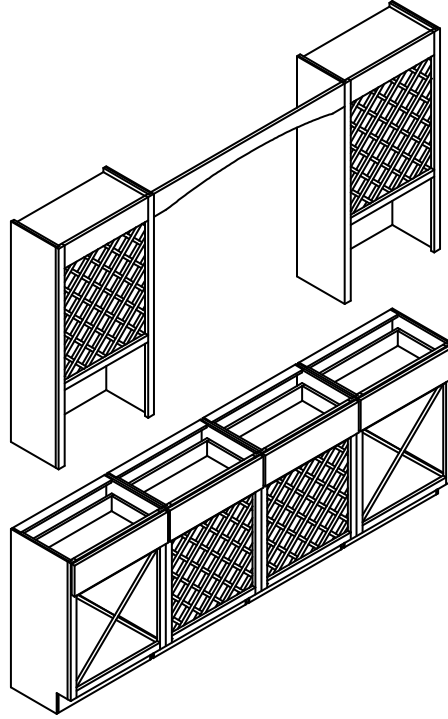


3-D VIEW

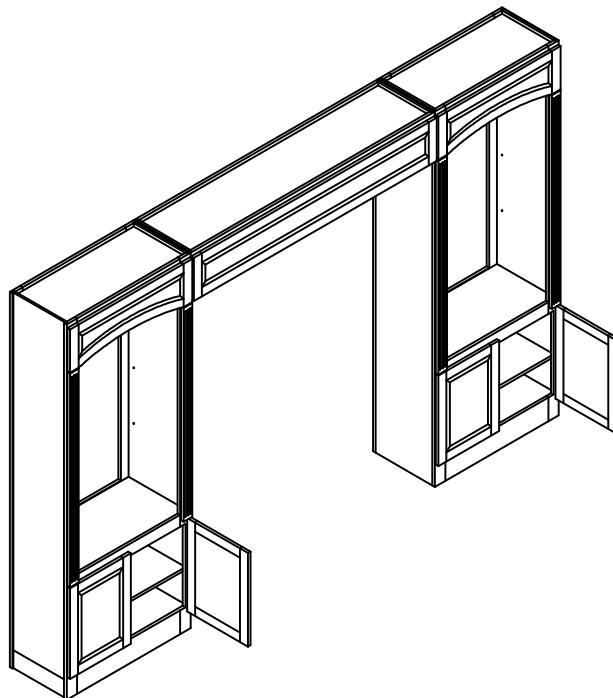
BCI0016 Custom Wine Base



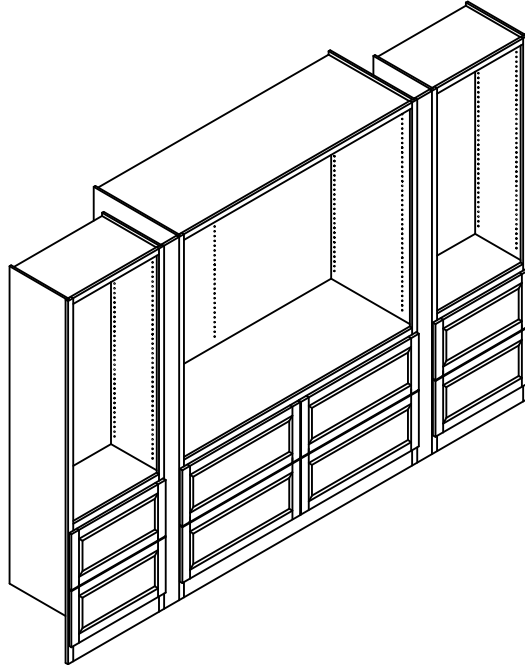
BCI0017 Custom Wine



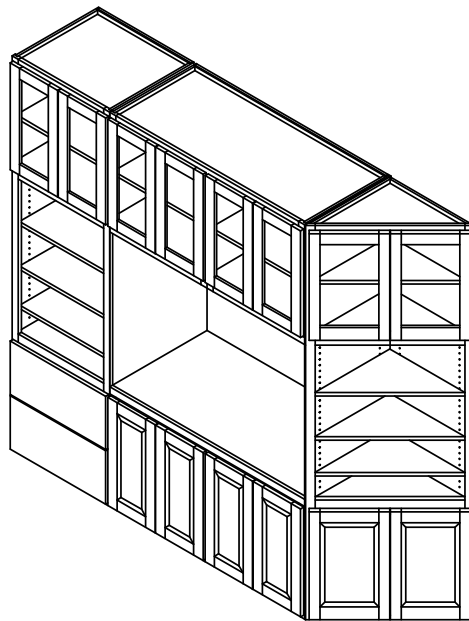
BCI0018 Custom Passthrough



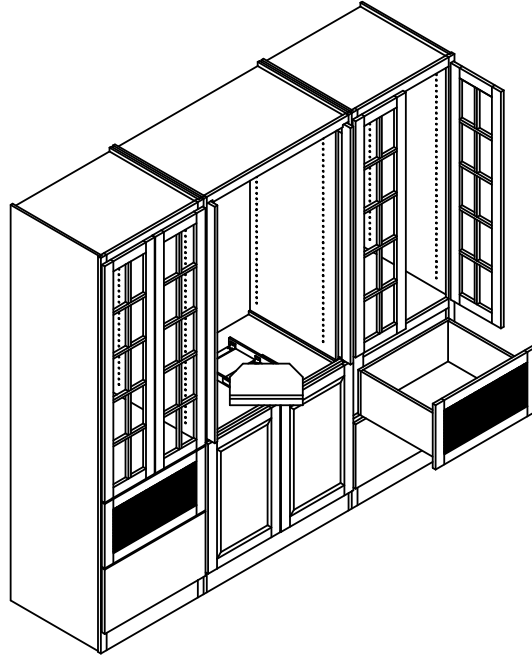
BCI0019 Custom Entertainment Center



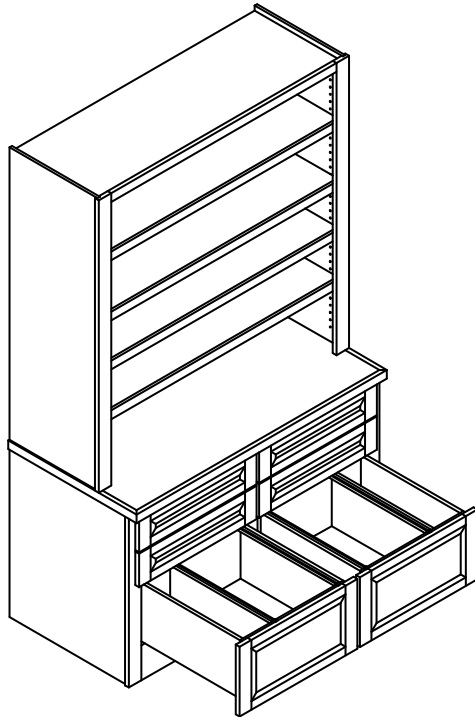
BCI0020 Custom Entertainment Center



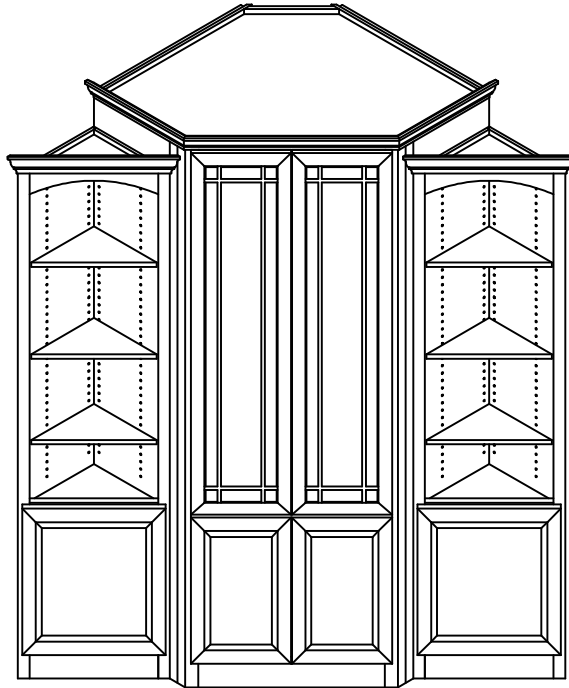
BCI0021 Custom Entertainment Center



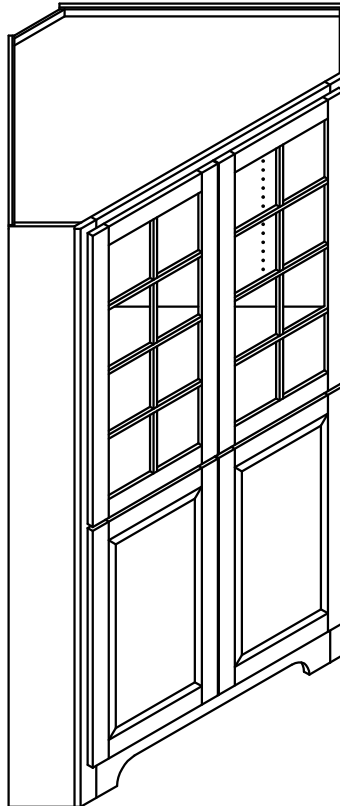
BCI0022 Custom File



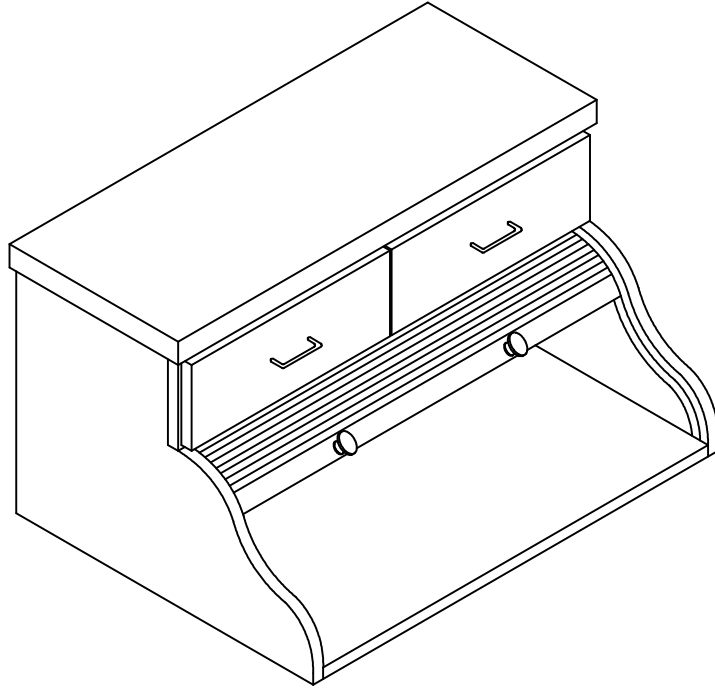
BCI0023 Custom Hutch



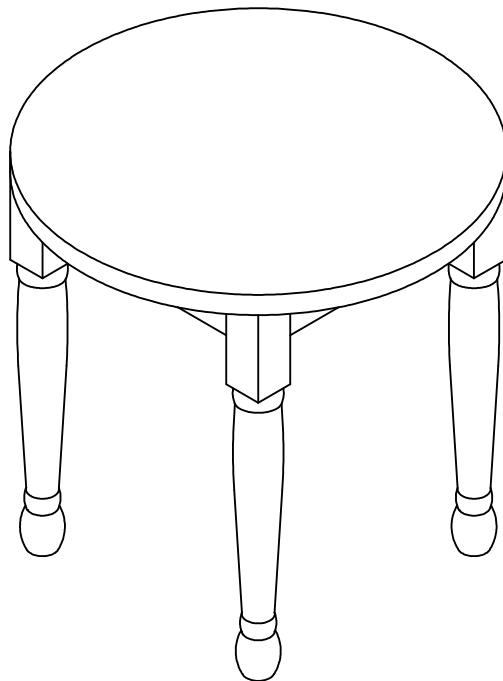
BCI0024 Custom Angle



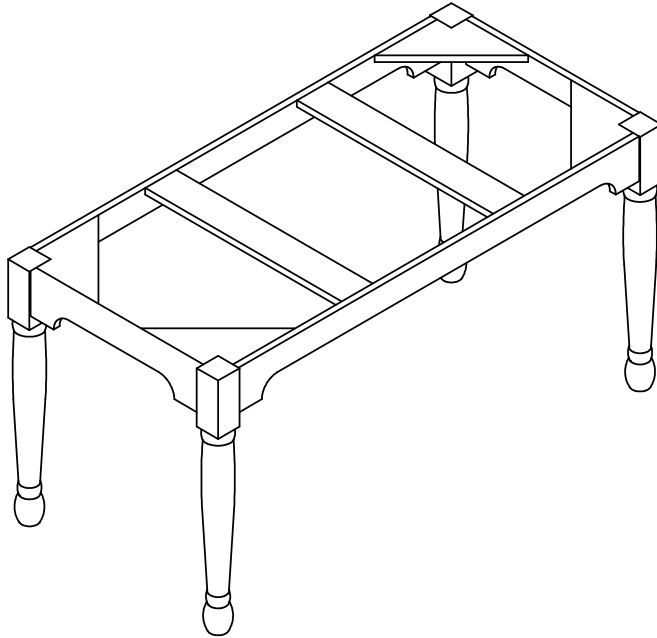
BCI0025 Custom Rolltop Desk



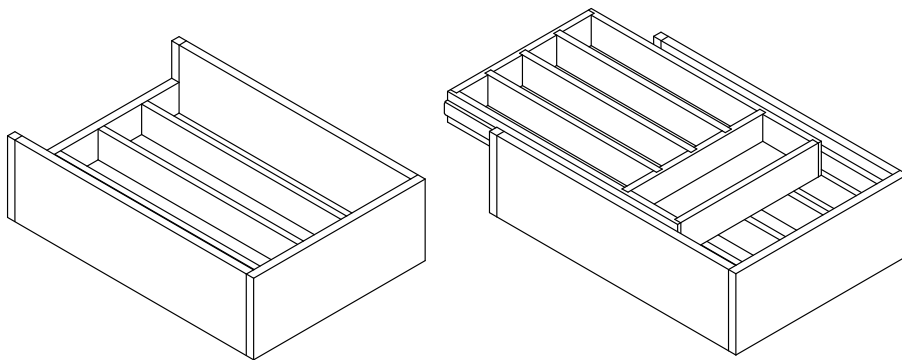
BCI0026 Custom Table



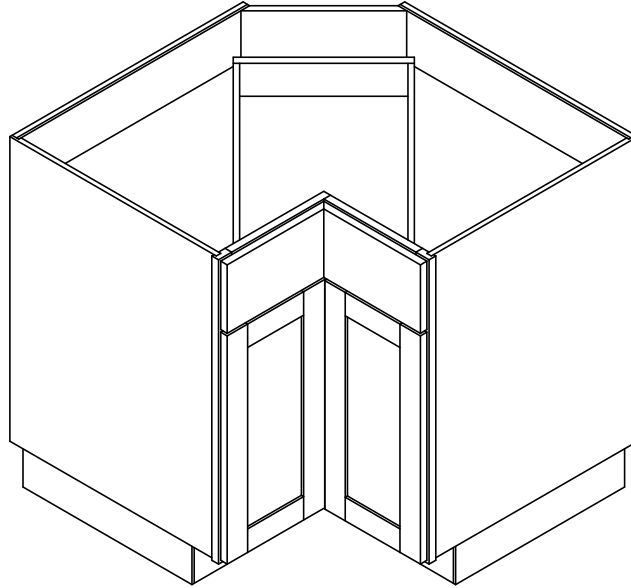
BCI0027 Custom Table



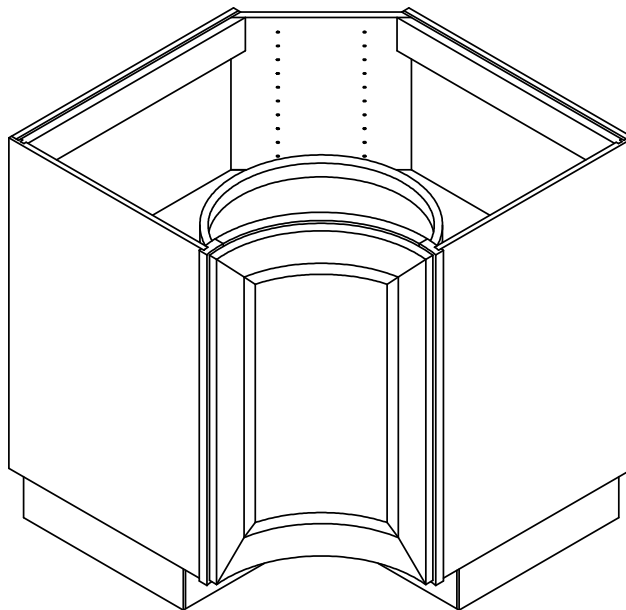
BCI0028 Custom Cutlery



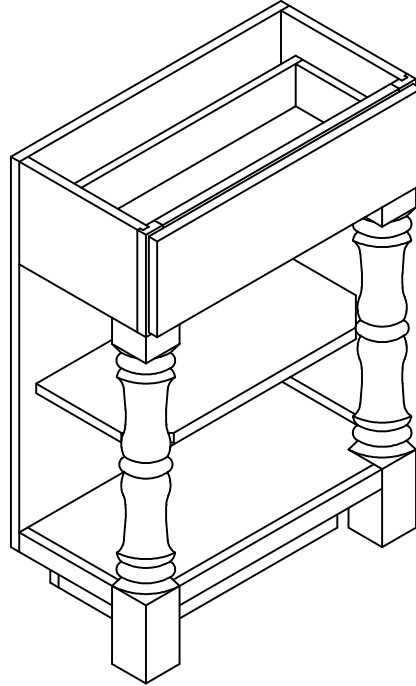
BCI0029 Custom Pie Cut



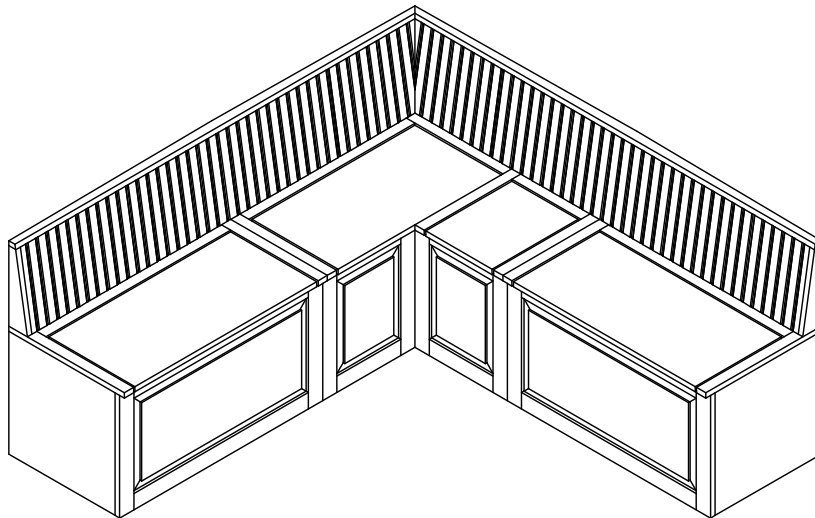
BCI0030 Custom Radius



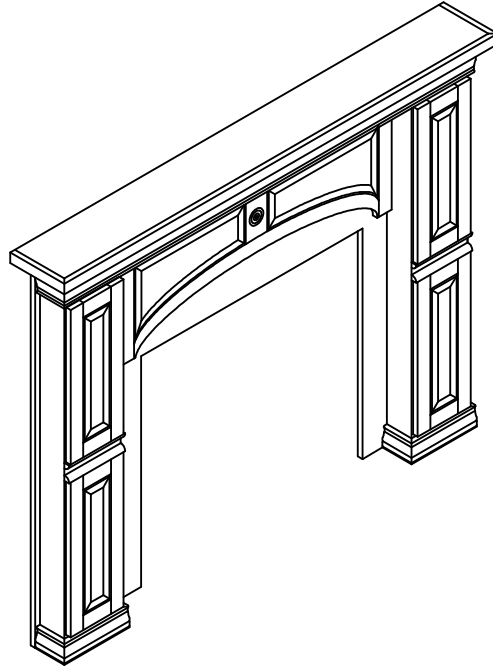
BCI0031 Custom End Shelf



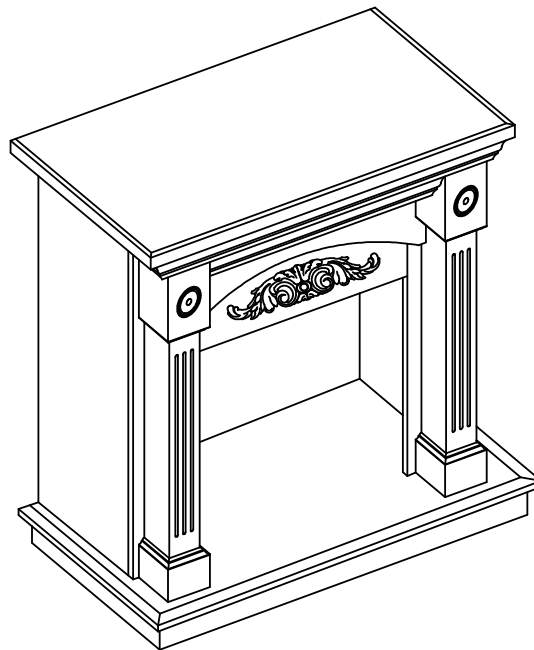
BCI0032 Custom Bench Seat



BCI0033 Custom Fireplace



BCI0034 Custom Fireplace





Household Storage and Organization

Over the years, Brighton Cabinetry has offered a variety of accessories that add value to your cabinets. We have access to a wide range of well known suppliers in the cabinet industry. Among those brands are Rev-A-Shelf, Hafele, Broan, CH Briggs, Enkebol, Outwater, plus many others. While you will find a number of enhancements throughout our catalog, there are still many items not specifically listed here. Please feel free to contact us for a quote on any accessory for your cabinet that you do not see within our pages. You may also contact our customer service department with any questions regarding accessory products.